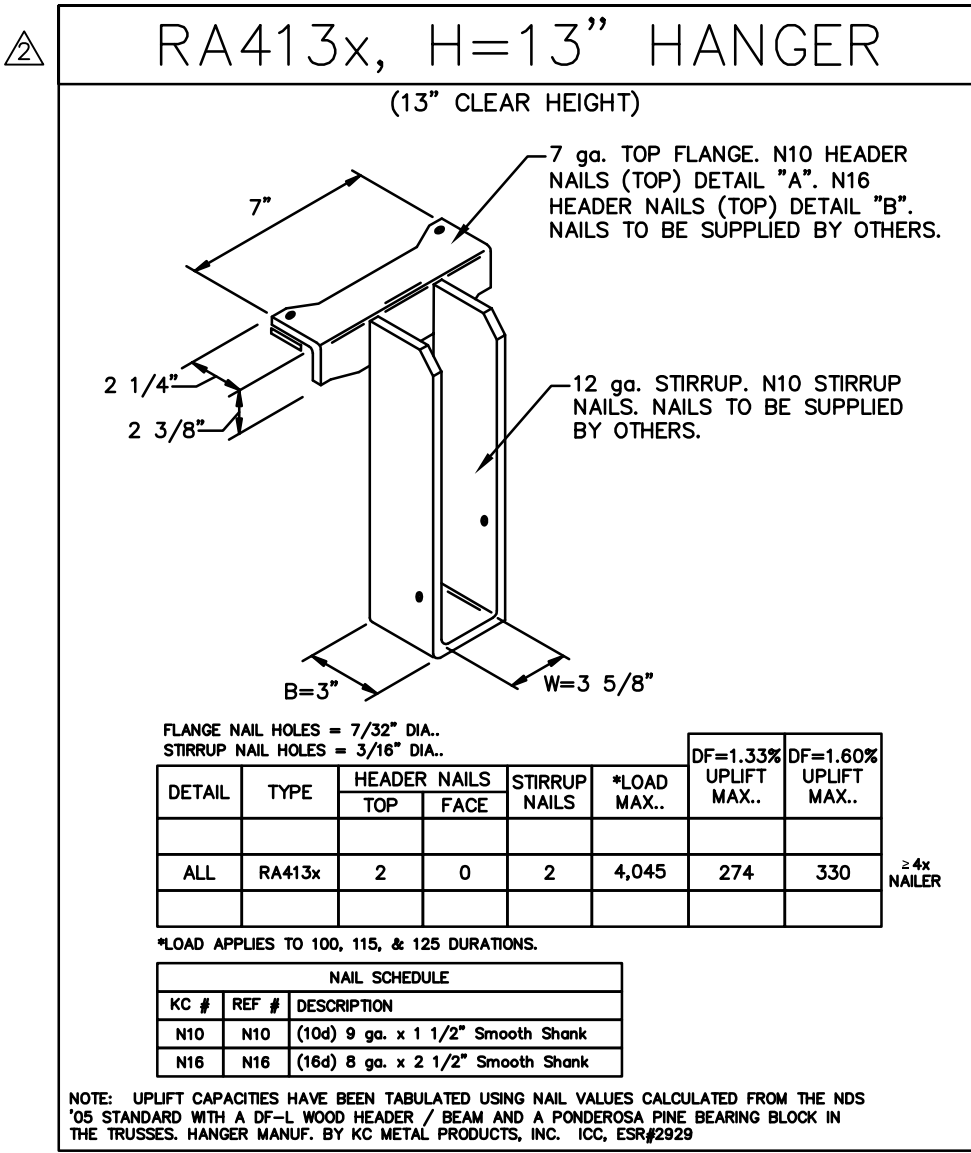


WARNING:
 Drilling, sawing, sanding or machining wood products generates wood dust and other substances known to the State of California to cause cancer. Avoid inhaling dust generated from wood products or use a dust mask or other safeguards for personal protection.
 Wood products emit chemicals known to the State of California to cause birth defects or other reproductive harm.



DATE: 08/21/15

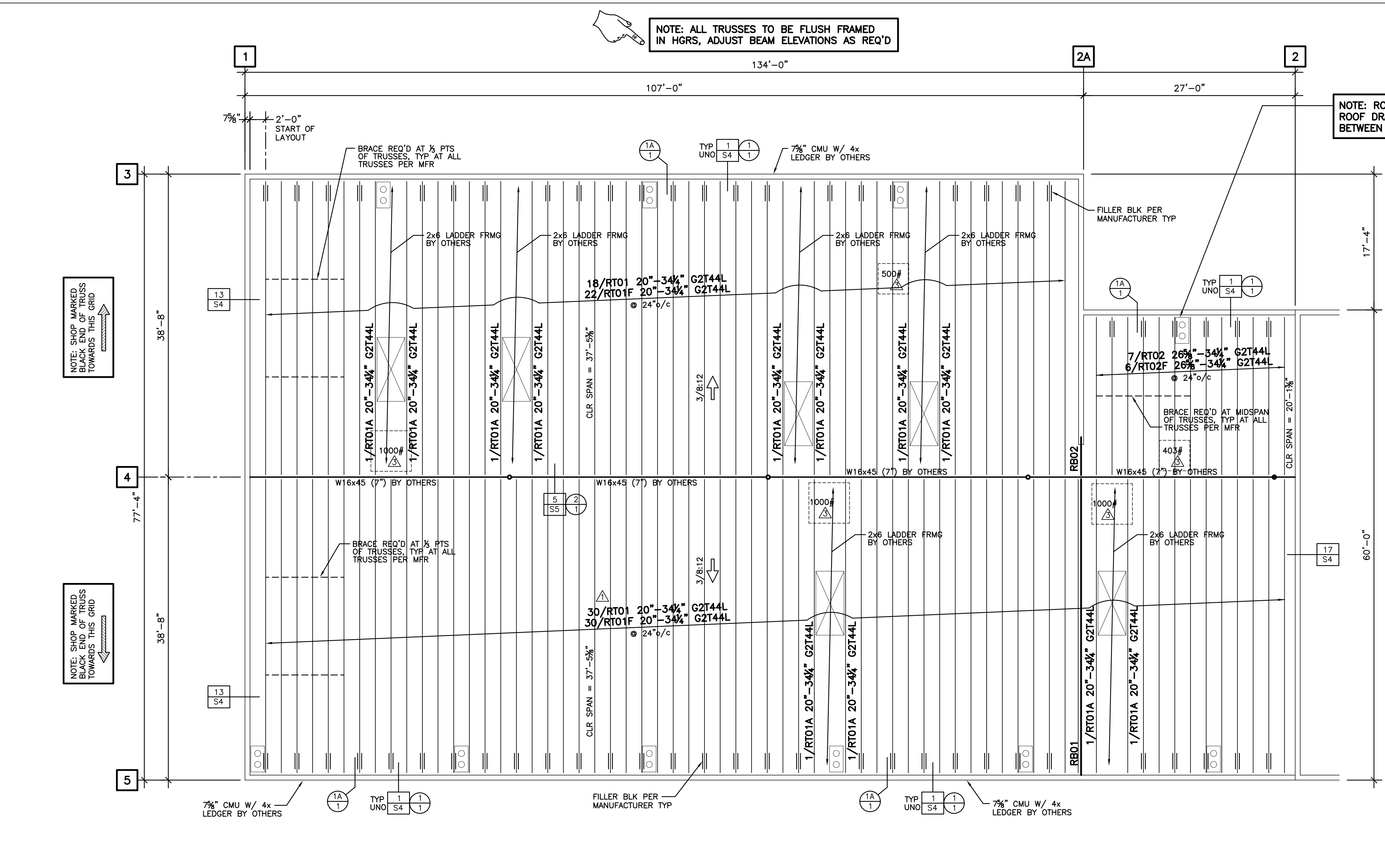
REVISIONS	PER	COMMENTS
1	11/10/15	PER EOR COMMENTS
2	11/30/15	
3	4/11/16	per revised mechanical locations

DiSTEFANO CHEESE
 1485 E. THIRD STREET
 POMONA, CALIFORNIA

ENGINEER: G2 STRUCTURAL, LLC
 ENGINEER NO: E28-2324502
 ARCHITECT: MICHAEL DOUGLASS DESIGN ASSOCIATES
 952-432-9748
 CUSTOMER: AMORT CONSTRUCTION
 714-998-2401

REVISED FOR CONSTRUCTION





ROOF FRAMING PLAN

(REF: S3)
SCALE: 1/8" = 1'-0"

ROSEBURG FOREST PRODUCTS 2.0 LVL ESR-1210				
QTY	MARK	WIDTH	DEPTH	LENGTH
1	FB02	3 1/2	9 1/2	3'-0"
14	FL01	1 3/4	9 1/2	14'-0"
37	FL02	1 3/4	9 1/2	17'-0"
4	FL03	1 3/4	14	20'-0"

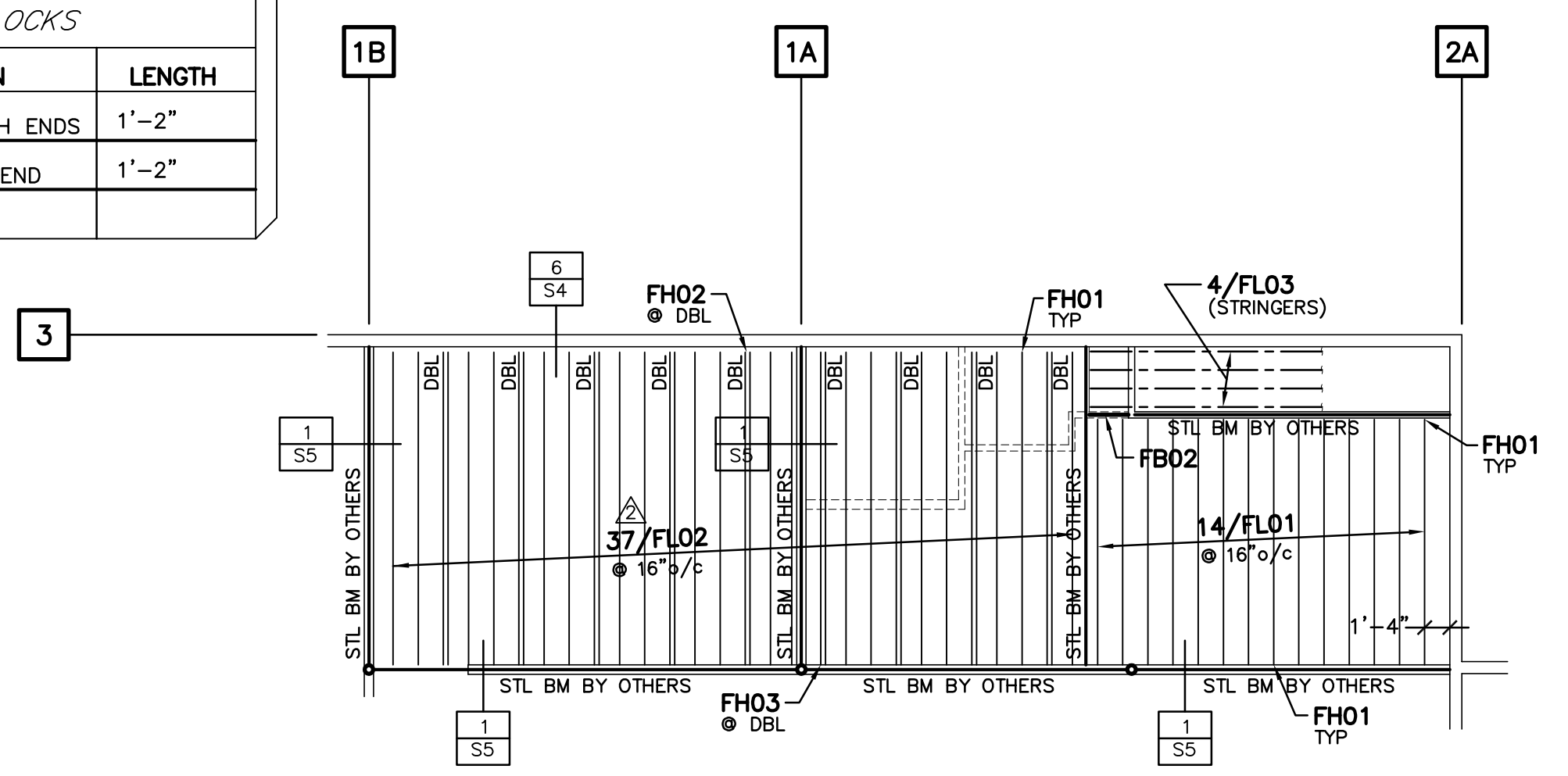
(STRINGERS)

PLYWOOD EDGE BLOCKS			
QTY	MARK	DESCRIPTION	LENGTH
84	FPEB1	3 X 4 NOM. W/ Z-CLIPS BOTH ENDS	1'-2"
96	FPEB2	3 X 4 NOM. W/ Z-CLIP ONE END	1'-2"
96	FZC01	LOOSE Z-CLIPS	

KC METALS CONNECTORS ESR-2930					
QTY	MARK	DESCRIPTION	NAILING		REMARKS
			HEADER	JOIST	
68	FH01	TR259.5	6-10d	2-10d x 1 1/2	SINGLE
9	FH02	RI49.5	2-16d	2-10d x 1 1/2	DBL
9	FH03	TR49.5	6-10d	2-10d x 1 1/2	DBL

MEZZANINE FRAMING PLAN

(REF: S3)
SCALE: 1/8" = 1'-0"



PROJECT PLANS USED:	
SHEETS	DATE
ARCHITECTURAL DRAWINGS A1 THRU A5	NOT DATED
STRUCTURAL DRAWINGS S1 THRU S5	01/03/15
MECHANICAL DRAWINGS	NONE PROVIDED

DESIGN LOADS		
PART LOAD	ROOF	PSF
LIVE LOAD	20	PSF
DEAD LOAD	15	PSF
TOTAL LOAD	35	PSF

DESIGN DEFLECTION:
 $\Delta_{LL} \leq L/360$ $\Delta_{TL} \leq L/240$
 LOAD DURATION FACTOR = 1.25

WARNING:
 Drilling, sawing, sanding or machining wood products generates wood dust and other substances known to the State of California to cause cancer. Avoid inhaling dust generated from wood products or use a dust mask or other safeguards for personal protection.
 Wood products emit chemicals known to the State of California to cause birth defects or other reproductive harm.

ROSEBURG FOREST PRODUCTS 2.0 LVL ESR-1210				
QTY	MARK	WIDTH	DEPTH	LENGTH
1	RB01	3 1/2	11 7/8	39'-0"
1	RB02	3 1/2	11 7/8	6'-0"

PLYWOOD EDGE BLOCKS			
QTY	MARK	DESCRIPTION	LENGTH
980	RPEB1	3 X 4 NOM. W/ Z-CLIPS BOTH ENDS	1'-8 1/4"
65	RPEB2	3 X 4 NOM. W/ Z-CLIP ONE END	1'-8 1/4"
65	RZC01	LOOSE Z-CLIPS	

MISC. MATERIAL LIST		
ITEM	QTY	USE
RA413X H=13" HGRS	253	STD G2T HANGERS
2x4 B/C BRACING	560 LF	STD G2T B/C BRACING (SEE DETAIL)

G2T TRUSS LIST						
MARK	QTY	CLR SPAN	MFR LENGTH	DEPTH	HANGER (BLACK END)	HANGER (OTHER END)
RT01	48	37'-5 3/8"	37'-4 3/4"	20"-3 3/4" G2T44L	RA413X H=13" HGRS	RA413X H=13" HGRS
RT01F	52	37'-5 3/8"	37'-4 3/4"	20"-3 3/4" G2T44L	RA413X H=13" HGRS	RA413X H=13" HGRS
RT01A	12	37'-5 3/8"	37'-4 3/4"	20"-3 3/4" G2T44L	RA413X H=13" HGRS	RA413X H=13" HGRS
RT02	7	20'-1 3/8"	20'-0 3/4"	26 1/2"-3 3/4" G2T44L	RA413X H=13" HGRS	RA413X H=13" HGRS
RT02F	6	20'-1 3/8"	20'-0 3/4"	26 1/2"-3 3/4" G2T44L	RA413X H=13" HGRS	RA413X H=13" HGRS

4x SHOP ATTACHED ONE END PER DETAIL '1A'

NOTE:
 REFERENCE MANUFACTURERS PRODUCT GUIDE FOR PRODUCT INSTALLATION AND ADDITIONAL INFORMATION.

DATE	REVISIONS
08/24/15	
11/10/15	1 11/10/15 PER EOR COMMENTS
11/30/15	2 11/30/15
	3 4/11/16 per revised mechanical locations

DISTEFANO CHEESE
 1485 E. THIRD STREET
 POMONA, CALIFORNIA

REVISED FOR CONSTRUCTION

ENGINEER: G2 STRUCTURAL, LLC
 628-232-6202
 ARCHITECT: MICHAEL DOUGLASS DESIGN ASSOCIATES
 952-432-9748
 CUSTOMER: AMORT CONSTRUCTION
 714-998-2401

G2 STRUCTURAL
 G2 STRUCTURAL, LLC
 4725 S. CONTRACTORS WAY, TUCSON, AZ 85714
 ernie@g2structural.com