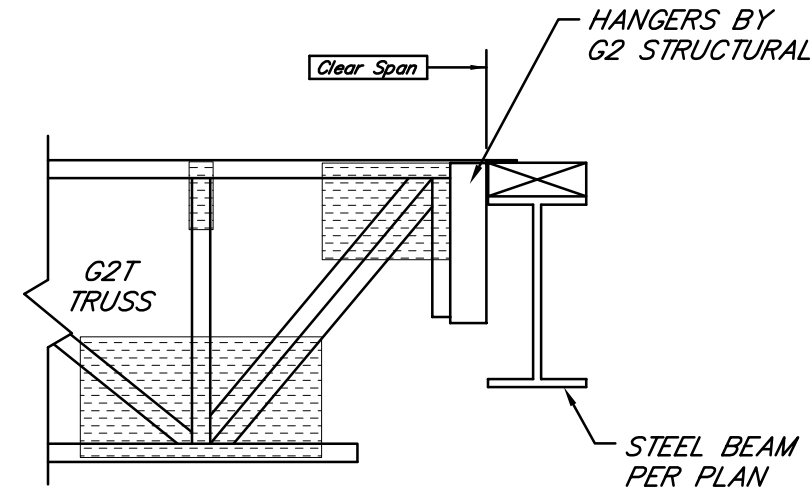
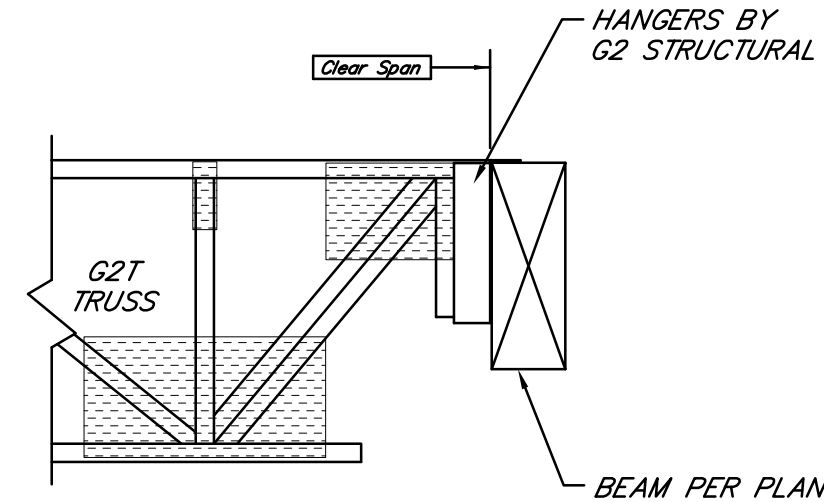


3 G2T IN HANGER TO STEEL BEAM



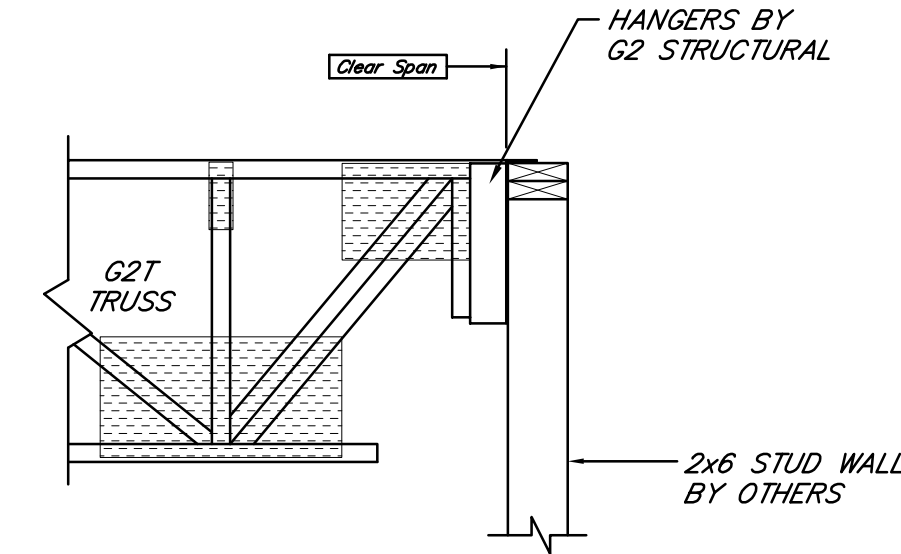
2 G2T IN HANGER TO WOOD BEAM

REFER TO PROJECT PLAN DETAILS FOR MORE INFO NOT TO SCALE

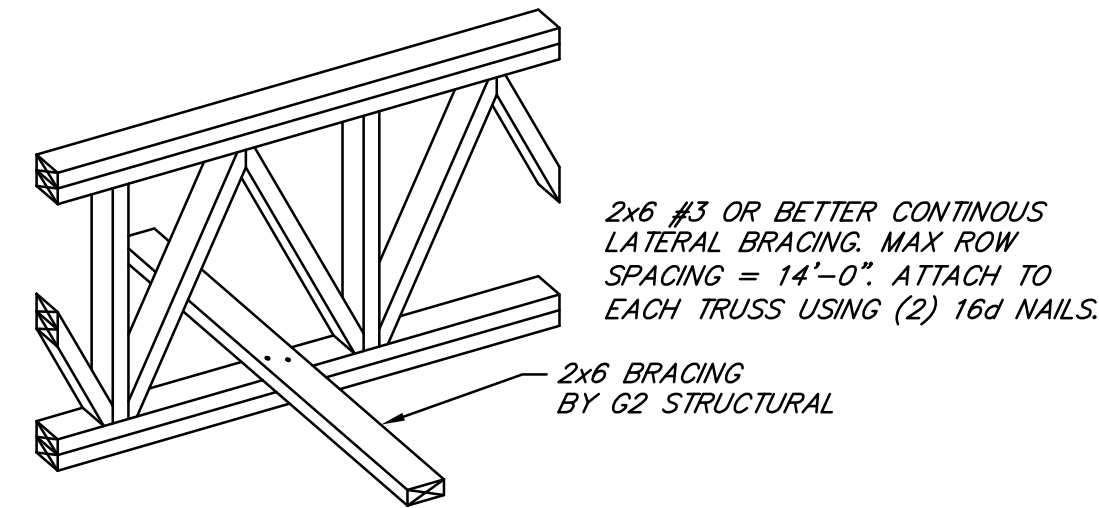


1 G2T IN HANGER TO STUD WALL

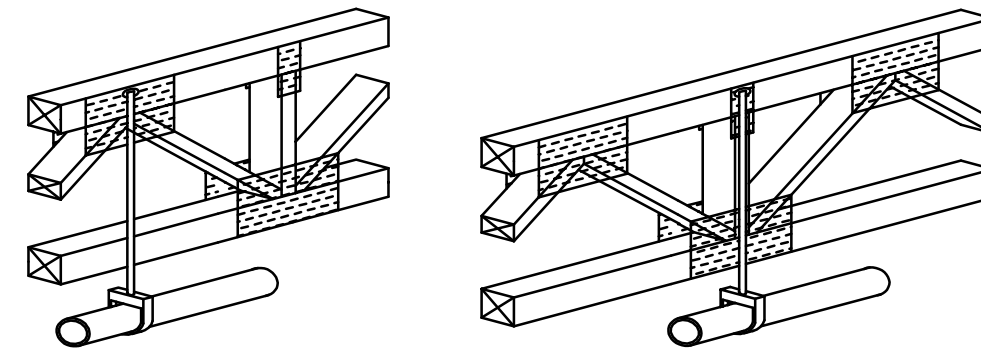
REFER TO PROJECT PLAN DETAILS FOR MORE INFO NOT TO SCALE



C BOTTOM CHORD BRACING

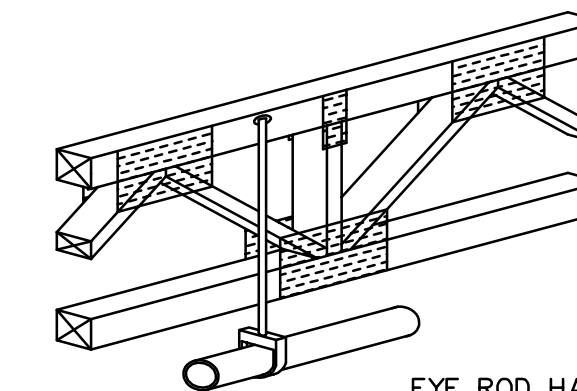


B 2-1/2" THROUGH 4" DIA. SPRINKLER LINE



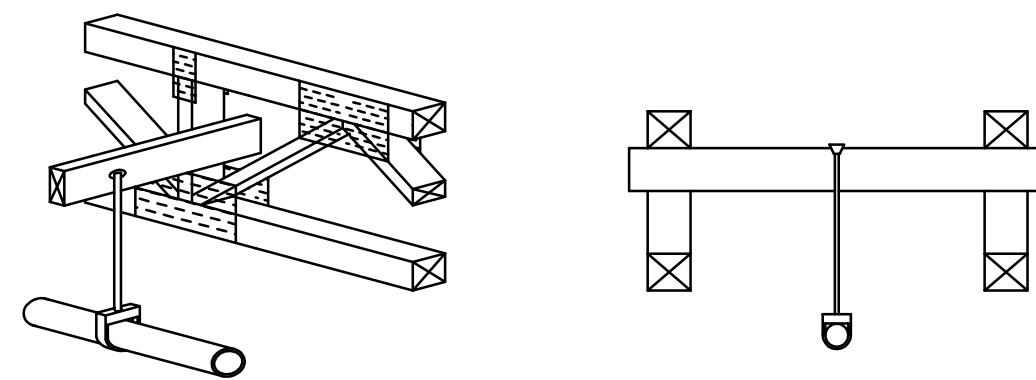
EYE ROD HANGER OR NFPA APPROVED ALTERNATE WITH (1) FASTENER. LOCATE ONLY AT TOP CHORD PANEL POINTS THROUGH METAL GUSSET PLATE. NORMALLY FOR PIPE SIZES 2-1/2" THROUGH 4" MAXIMUM. FOR UP TO A 4" PIPE SIZE USE UP TO (1) 1/2" THROUGH BOLT INSTALLED THROUGH THE GUSSET PLATE AT A TRUSS TOP CHORD PANEL POINT. G2 STRUCTURAL RECOMMENDS 4" PIPE SIZE MAINS BE SUPPORTED WITH THIS DETAIL AND SIZES GREATER THAN 4" USE 4X BLOCKING OR TRAPEZE BETWEEN 2 TRUSSES.

A 2" DIA. & SMALLER SPRINKLER LINE



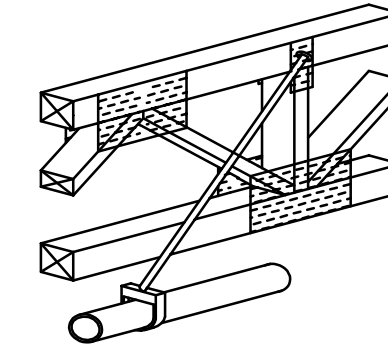
EYE ROD HANGER OR NFPA APPROVED ALTERNATE WITH (1) LAG SCREW. LOCATE ANYWHERE ALONG LENGTH OF TOP CHORD. NORMALLY FOR BRANCH LINES. MAXIMUM 2" PIPE SIZE - USE UP TO (1) 3/8" x 2-1/2" LAG SCREW.

F TRAPEZED SPRINKLER LINE



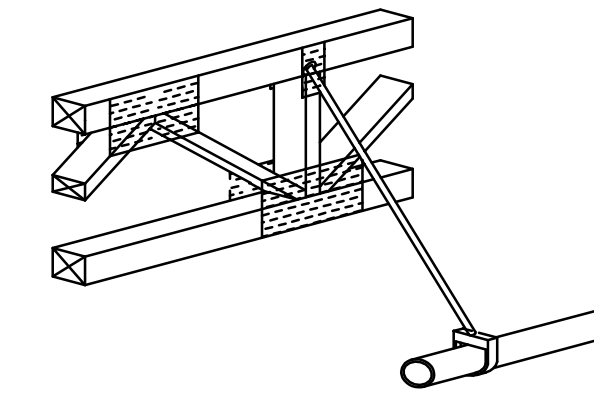
TRAPEZE CAN BE WOOD MEMBER, STEEL, PIPE OR ANGLE, AND MUST BE IN ACCORDANCE WITH NFPA. MAXIMUM LAG SCREW SIZE IS 1/2" x 3". MAXIMUM 6" PIPE SIZE PERMITTED BY NFPA. LOCATE TRAPEZE AT WEB VERTICLE OR AT TOP CHORD PANEL POINTS TIGHT AGAINST WEBS OR METAL GUSSET PLATES.

E LONGITUDINAL SWAY BRACE



ATTACH SWAY BRACE TO TRUSS w/ UP TO 1/2" THRU OR LAG BOLT INTO TOP CHORD AT PANEL POINT THRU METAL GUSSET PLATE. 3/8" THRU OR LAG BOLT EITHER THRU METAL GUSSET PLATE OR NOT MORE THAN 2" FROM EDGE OF PLATE. LOCATED IN CENTER OF TOP CHORD OF SINGLE OR MULTIPLE PLY TRUSS. THRU BLOT OR LAG BOLT MUST BE PRE-DRILLED WITH TIGHT TOLERANCE. MAXIMUM BRACE FORCE = 450#

D LATERAL SWAY BRACE



ATTACH SWAY BRACE TO TRUSS w/ UP TO 1/2" THRU OR LAG BOLT INTO TOP CHORD AT PANEL POINT THRU METAL GUSSET PLATE. 3/8" THRU OR LAG BOLT EITHER THRU METAL GUSSET PLATE OR NOT MORE THAN 2" FROM EDGE OF PLATE. LOCATED IN CENTER OF TOP CHORD OF SINGLE OR MULTIPLE PLY TRUSS. THRU BLOT OR LAG BOLT MUST BE PRE-DRILLED WITH TIGHT TOLERANCE. MAXIMUM BRACE FORCE = 450#

WARNING:

Drilling, sawing, sanding or machining wood products generates wood dust and other substances known to the State of California to cause cancer. Avoid inhaling dust generated from wood products or use a dust mask or other safeguards for personal protection.

Wood products emit chemicals known to the State of California to cause birth defects or other reproductive harm.

MTR414, H=14" HANGER
(14" CLEAR HEIGHT)

DETAIL	TYPE	HEADER NAILS	STIRRUP NAILS	LOAD MAX.	DF=1.33% UPLIFT MAX.	DF=1.60% UPLIFT MAX.
ALL	MTR414	4	4	2,720	720	860

*LOAD APPLIES TO 100, 115, & 125 DURATIONS.

NO.	REF.	DESCRIPTION
N10	N10	(10d) 9 ga. x 1 1/2" SMOOTH SHANK
N16	N16	(16d) 8 ga. x 2 1/2" SMOOTH SHANK
N18	N18	(18d) 8 ga. x 3 1/2" SMOOTH SHANK

NOTE: UPLIFT CAPACITIES HAVE BEEN TABULATED USING NAIL VALUES CALCULATED FROM THE NDS '05 STANDARD WITH A 2"-L WOOD HEADER / BEAM AND A PONDEROSA PINE BEARING BLOCK IN THE TRUSSES. HANGER MANUF. BY KC METAL PRODUCTS, INC. ITC EMB0299

WEST CASITAS LLC
3273 W. CASITAS AVENUE
LOS ANGELES, CALIFORNIA 90039

ENGINEER: G2 STRUCTURAL, INC.
ANN EMB-15000
818-991-5000
PROJECT: G2 STRUCTURAL DESIGN AND PLANNING
PROJESSON DESIGN AND PLANNING
323-254-4252
CUSTOMER: GANAKH LUMBER
951-278-4000

G2 STRUCTURAL
G2 STRUCTURAL LLC
4725 S. CONTRACTORS WAY, TUCSON, AZ 85714
ernie@g2structuralaz.com

DATE: 11/03/15

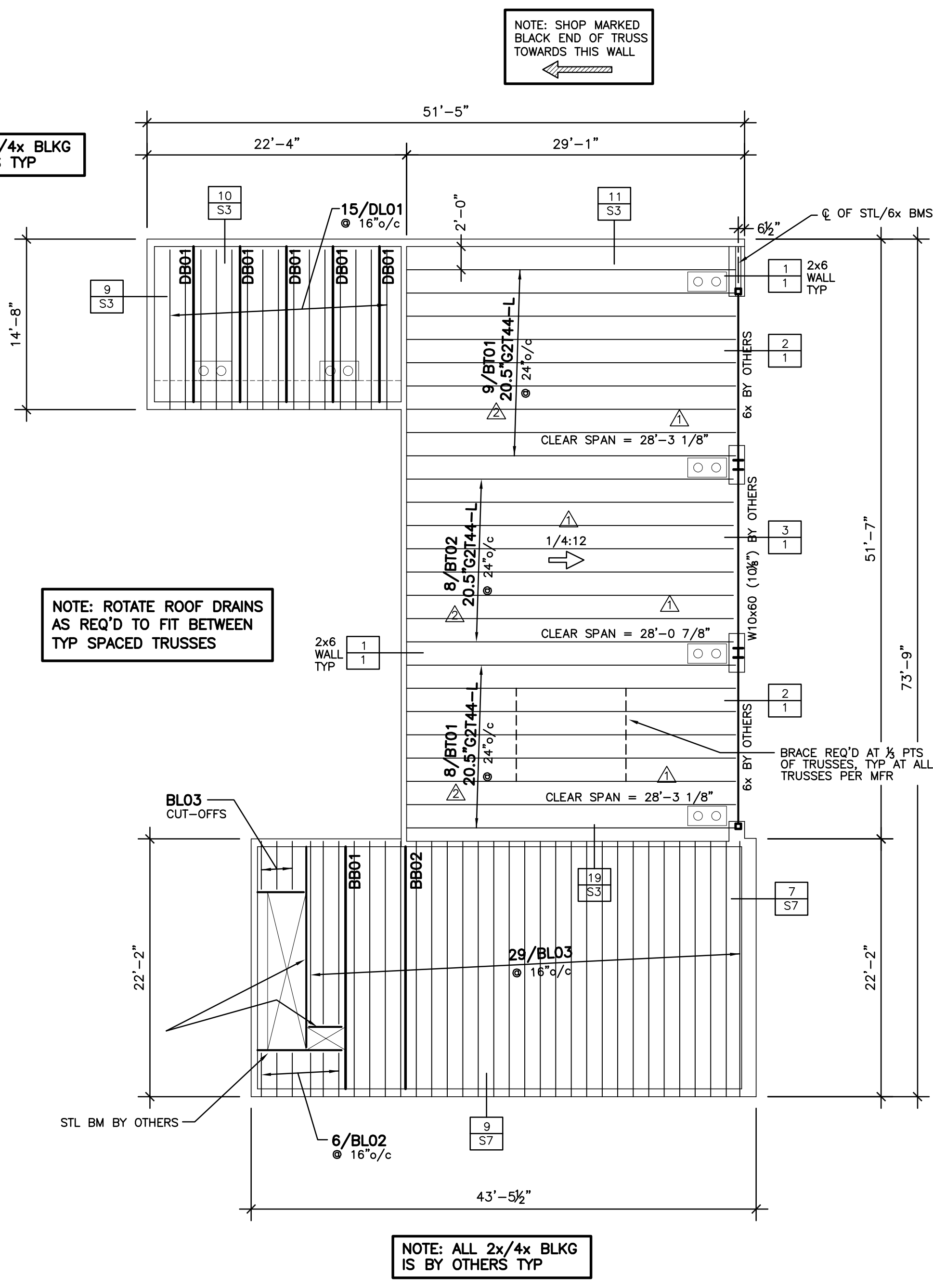
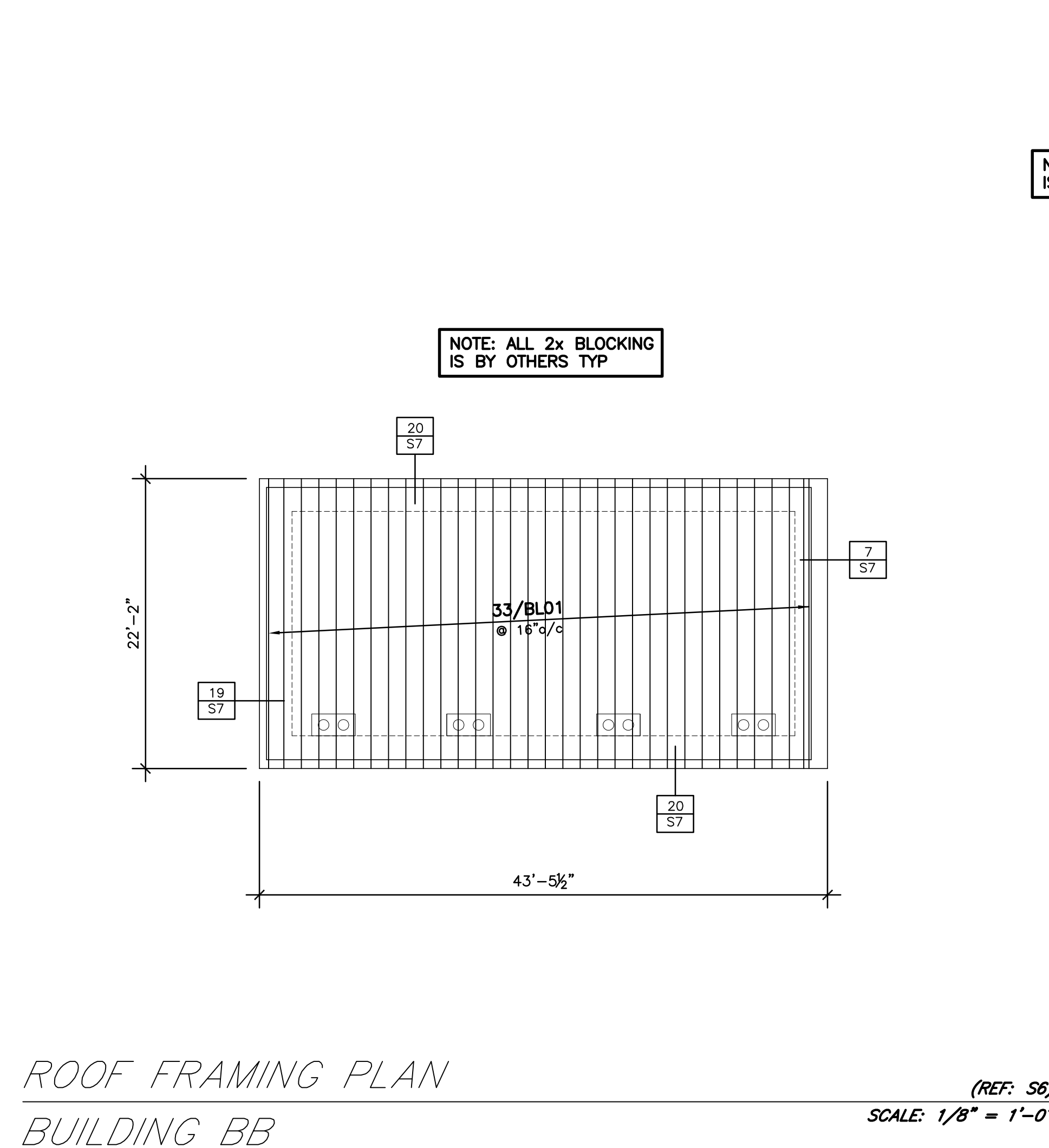
REVISIONS	DATE	DESCRIPTION
1	11/17/15	PER MARK UPS
2	11/30/15	PER RFCS

PROJECT PLANS USED:	
SHEETS	DATE
ARCHITECTURAL DRAWINGS A1.0 THRU A6.2	09/22/15 Δ
STRUCTURAL DRAWINGS S1 THRU S7	08/28/15 Δ
MECHANICAL DRAWINGS	NONE PROVIDED Δ

DESIGN LOADS		
	ROOF	
LIVE LOAD	20	PSF
PART LOAD	-	PSF
DEAD LOAD	19	PSF
TOTAL LOAD	39	PSF

DESIGN DEFLECTION:
 $\Delta_{LL} \leq L/360$ $\Delta_{TL} \leq L/240$
 LOAD DURATION FACTOR = 1.25
 DOUGLAS FIR SPECIES TO BE USED FOR ALL TRUSS LUMBER

DATE: 11/03/15
REVISIONS
1 11/17/15 PER MARK UPS
2 11/30/15 PER RFCS



NOTE: TRUSS ROOF SYSTEM TO BE FLUSH FRAMED IN HANGERS. ADJUST WALL/BEAM ELEVATIONS AS REQ'D

G2T TRUSS LIST							
MARK	QTY	CLR SPAN	MFR LENGTH	DEPTH	HANGER (BLACK END)	HANGER (OTHER END)	
BT01	17	28'-3 1/8"	28'-2 5/8"	20.5" G2T44-L	MTR414 H=14" HGRS	MTR414 H=14" HGRS	
BT02	8	28'-0 7/8"	28'-0 3/8"	20.5" G2T44-L	MTR414 H=14" HGRS	MTR414 H=14" HGRS	

MISC. MATERIAL LIST		
ITEM	QTY	USE
MTR414 H=14" HGRS	50	STD G2T HANGERS (SEE DETAIL)
2x6 B/C BRACING	120 LF	STD G2T B/C BRACING (SEE DETAIL)

ROSEBURG FOREST PRODUCTS 2.0 LVL ESR-1210					
QTY	MARK	WIDTH	DEPTH	LENGTH	
33	BL01	1 3/4	11 7/8	22'-0"	
6	BL02	1 3/4	11 7/8	4'-0"	
29	BL03	1 3/4	14	22'-0"	
15	DL01	1 3/4	9 1/2	15'-0"	
1	BB01	3 1/2	14	22'-0"	
1	BB02	5 1/4	14	22'-0"	
5	DB01	3 1/2	9 1/2	15'-0"	

PLYWOOD EDGE BLOCKS			
QTY	MARK	DESCRIPTION	LENGTH
305	BPEB1	4 X 4 NOM. W/ Z-CLIPS BOTH ENDS	1'-2"
85	BPEB2	4 X 4 NOM. W/ Z-CLIP ONE END	1'-2"
170	BPEB3	4 X 4 NOM. W/ Z-CLIPS BOTH ENDS	1'-8 1/4"
15	BPEB4	4 X 4 NOM. W/ Z-CLIP ONE END	1'-8 1/4"
100	BZC01	LOOSE Z-CLIPS	

WARNING:
 Drilling, sawing, sanding or machining wood products generates wood dust and other substances known to the State of California to cause cancer. Avoid inhaling dust generated from wood products or use a dust mask or other safeguards for personal protection.
 Wood products emit chemicals known to the State of California to cause birth defects or other reproductive harm.

NOTE:
 REFERENCE MANUFACTURERS PRODUCT GUIDE FOR PRODUCT INSTALLATION AND ADDITIONAL INFORMATION.

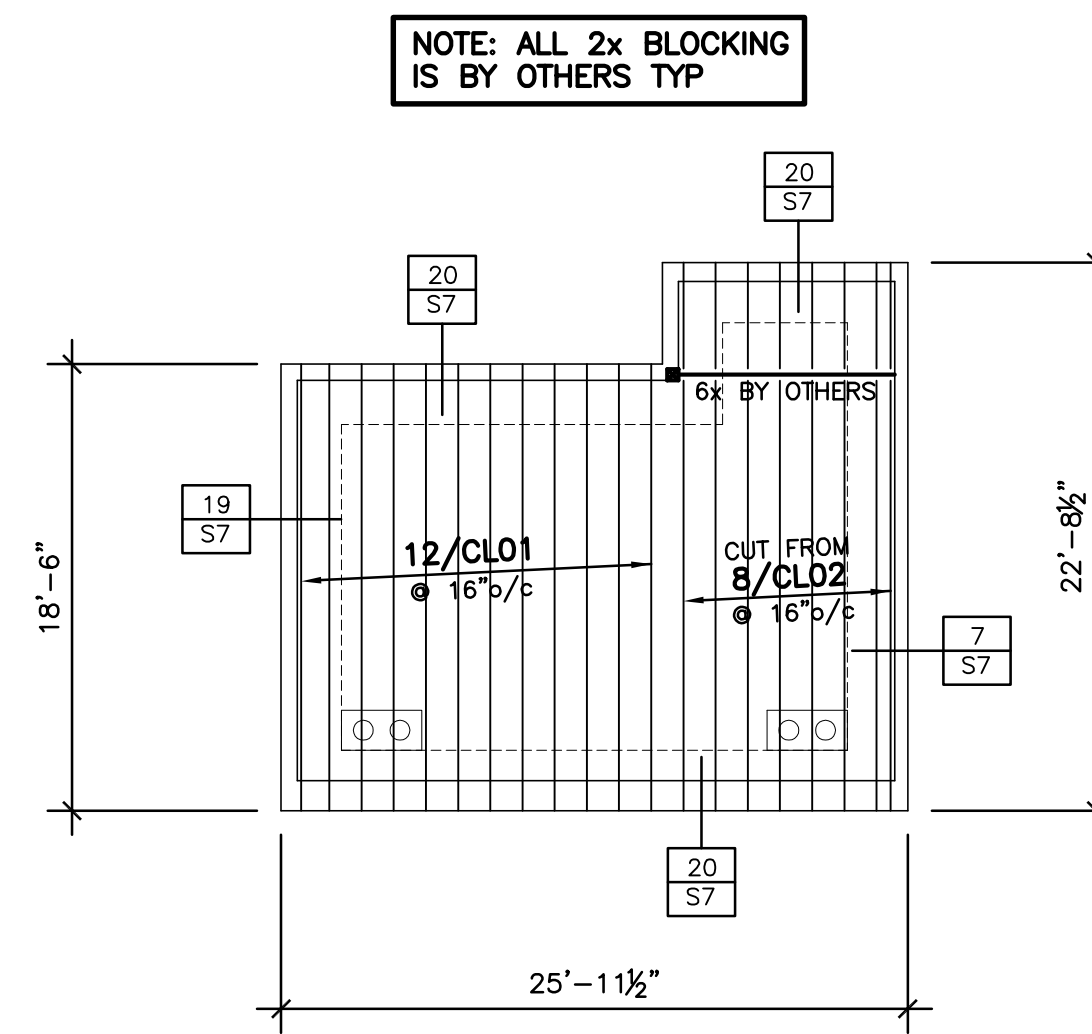
WEST CASITAS LLC
 3273 W. CASITAS AVENUE
 LOS ANGELES, CALIFORNIA 90039

ENGINEER: ANM ENGINEERING, INC.
 816-931-5000
 ARCHITECT: PRODESSON DESIGN AND PLANNING
 323-254-4252
 CUSTOMER: GANAHIL LUMBER
 951-271-4000

REVISED FOR CONSTRUCTION

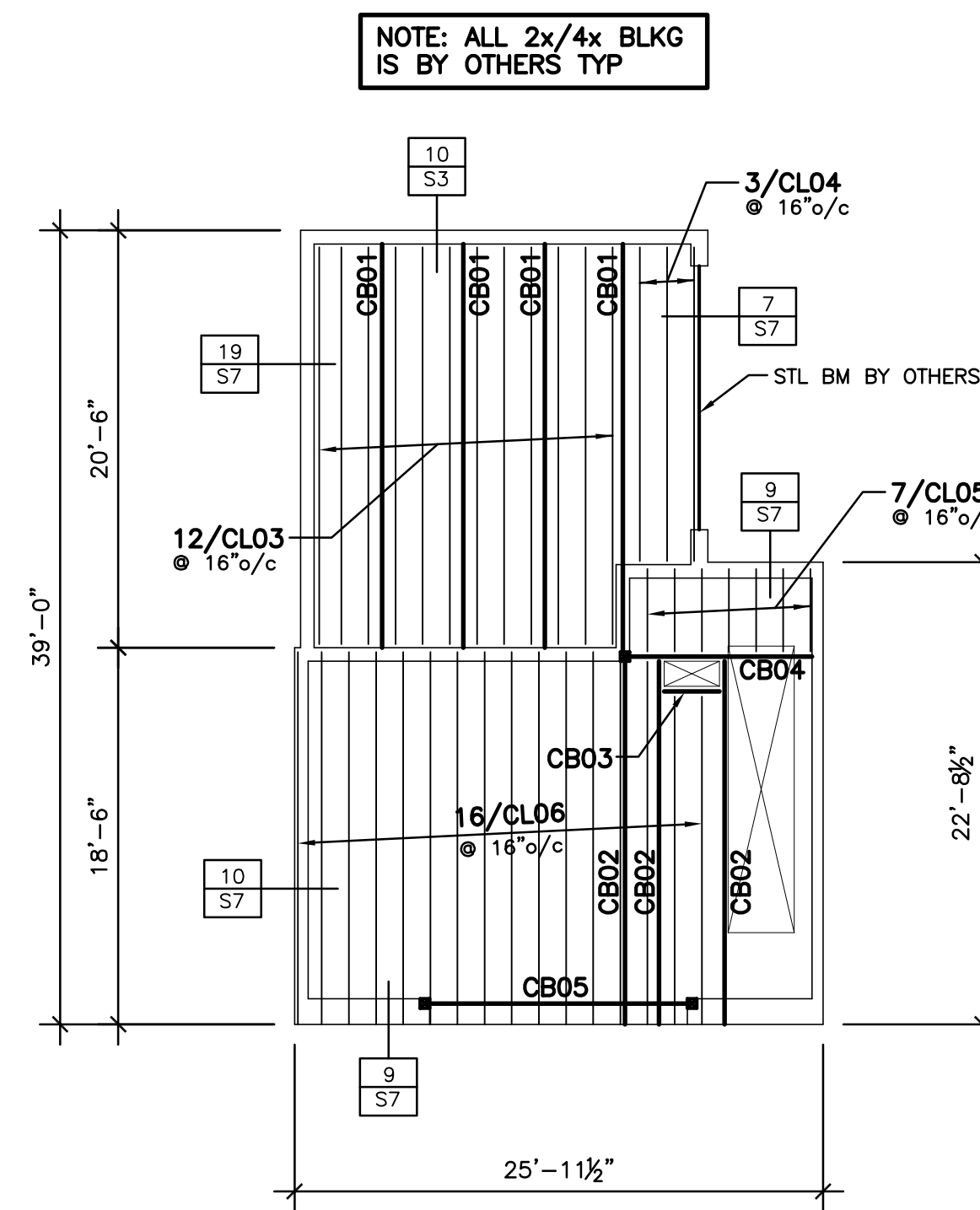
G2 STRUCTURAL

G2 STRUCTURAL LLC
 4725 S. CONTRACTORS WAY, TUCSON, AZ 85714
 ernie@g2structuralaz.com



ROOF FRAMING PLAN
BUILDING CC

(REF: S6)
SCALE: 1/8" = 1'-0"



SECOND FLOOR/LOW ROOF FRAMING PLAN
BUILDING C AND CC

(REF: S5)
SCALE: 1/8" = 1'-0"

ROSEBURG FOREST PRODUCTS 2.0 LVL ESR-1210				
QTY	MARK	WIDTH	DEPTH	LENGTH
12	CL01	1 3/4	9 1/2	19'-0"
8	CL02	1 3/4	9 1/2	23'-0"
12	CL03	1 3/4	11 7/8	21'-0"
3	CL04	1 3/4	11 7/8	17'-0"
7	CL05	1 3/4	11 7/8	5'-0"
16	CL06	1 3/4	14	19'-0"
4	CB01	3 1/2	11 7/8	21'-0"
3	CB02	3 1/2	14	19'-0"
1	CB03	3 1/2	14	4'-0"
1	CB04	5 1/4	14	11'-0"
1	CB05	5 1/4	14	14'-0"

PLYWOOD EDGE BLOCKS			
QTY	MARK	DESCRIPTION	LENGTH
175	CPEB1	4 X 4 NOM. W/ Z-CLIPS BOTH ENDS	1'-2"
85	CPEB2	4 X 4 NOM. W/ Z-CLIP ONE END	1'-2"
85	CZC01	LOOSE Z-CLIPS	

WARNING:

Drilling, sawing, sanding or machining wood products generates wood dust and other substances known to the State of California to cause cancer. Avoid inhaling dust generated from wood products or use a dust mask or other safeguards for personal protection.

Wood products emit chemicals known to the State of California to cause birth defects or other reproductive harm.

WEST CASITAS LLC
3273 W. CASITAS AVENUE
LOS ANGELES, CALIFORNIA 90039

ENGINEER: G2 STRUCTURAL, INC.
ANALYST: ERIC W. WILSON
PROJECT: PROCESSION DESIGN AND PLANNING
CUSTOMER: GANAKH LUMBER

G2 STRUCTURAL
G2 STRUCTURAL LLC
4725 S. CONTRACTORS WAY, TUCSON, AZ 85714
ernie@g2structuralaz.com

REVISED FOR CONSTRUCTION

DATE: 11/03/15

REVISIONS
1 11/17/15 PER MARK UPS
2 11/30/15 PER RFCS