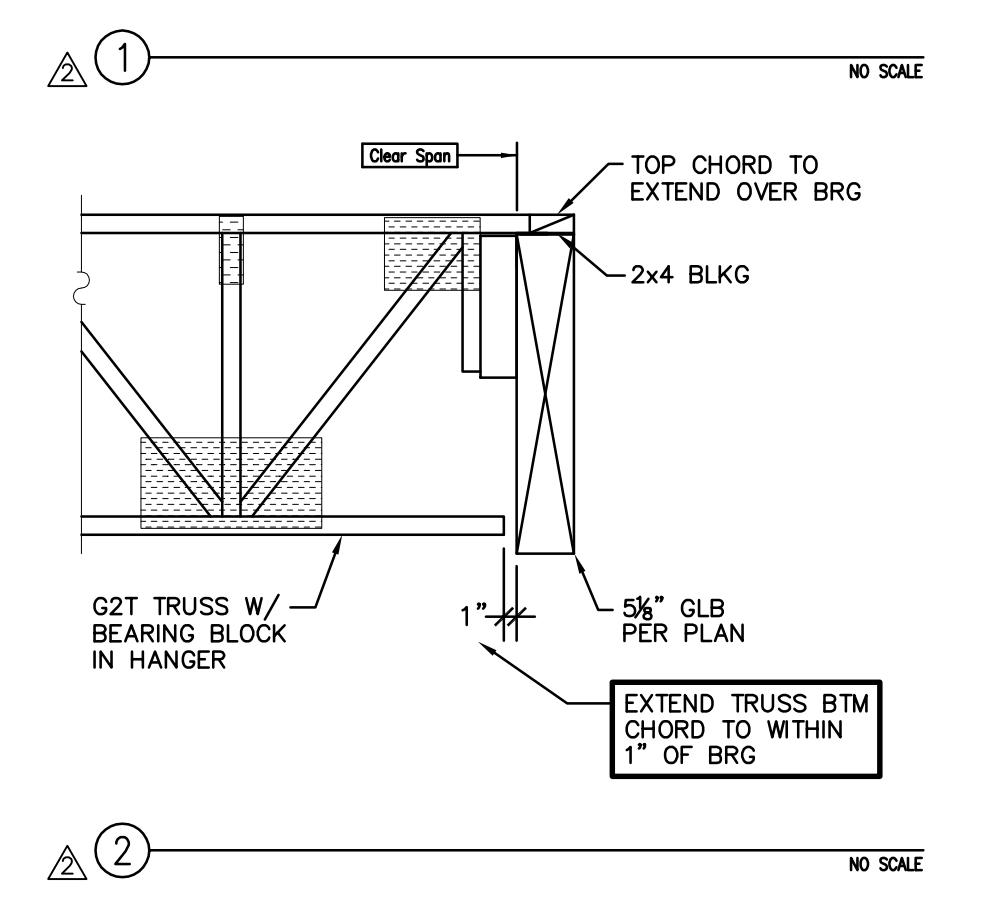
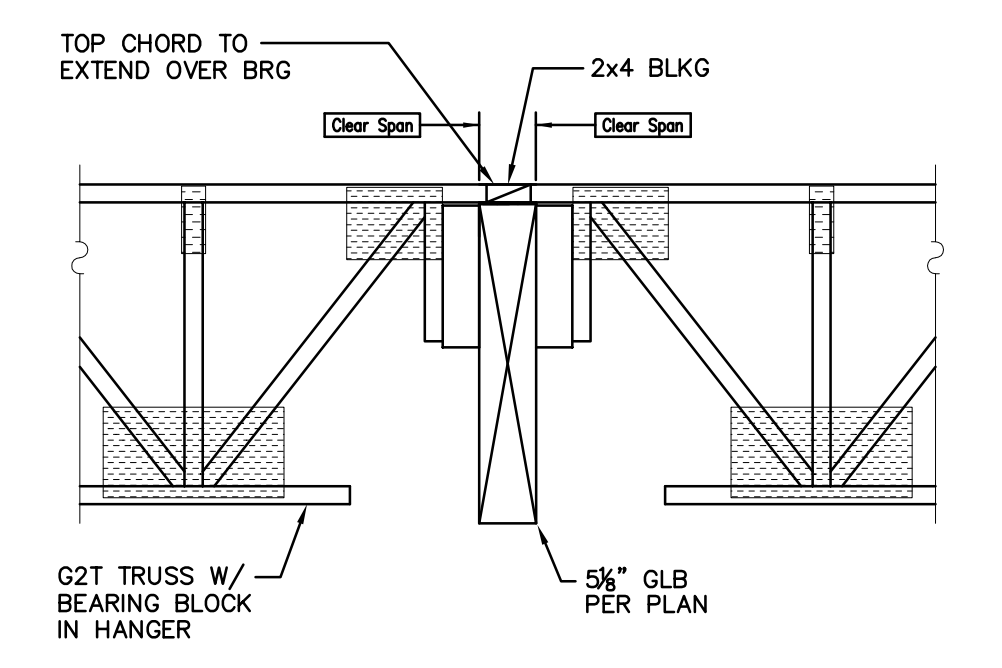


ROOF LOADING DIAGRAM (REF: S2.3) NOT TO SCALE



**DESIGN LOADS**

LOAD	ROOF	PSF
LIVE LOAD	20	PSF
PART LOAD	-	PSF
DEAD LOAD	18	PSF
TOTAL LOAD	38	PSF

DESIGN DEFLECTION:  
 $\Delta_{LL} \leq L/360$   $\Delta_{TL} \leq L/180$   
 LOAD DURATION FACTOR = 1.25

- SEE DIAGRAM ON LEFT FOR ADD'L LOADING.
- ALL JSTS SHALL BE DESIGNED FOR AN ADDITIONAL 500# ANYWHERE ALONG THE TOP AND BOTTOM CHORDS OF THE JSTS.
- WIND LOADS SHALL BE DIVIDED BY 0.6 TO OBTAIN EQUIVALENT ULTIMATE LOADS.

NOTE: STAGGER NAILS WHERE NAILING IS CLOSER THAN 5"o/c TO AVOID SPLITTING

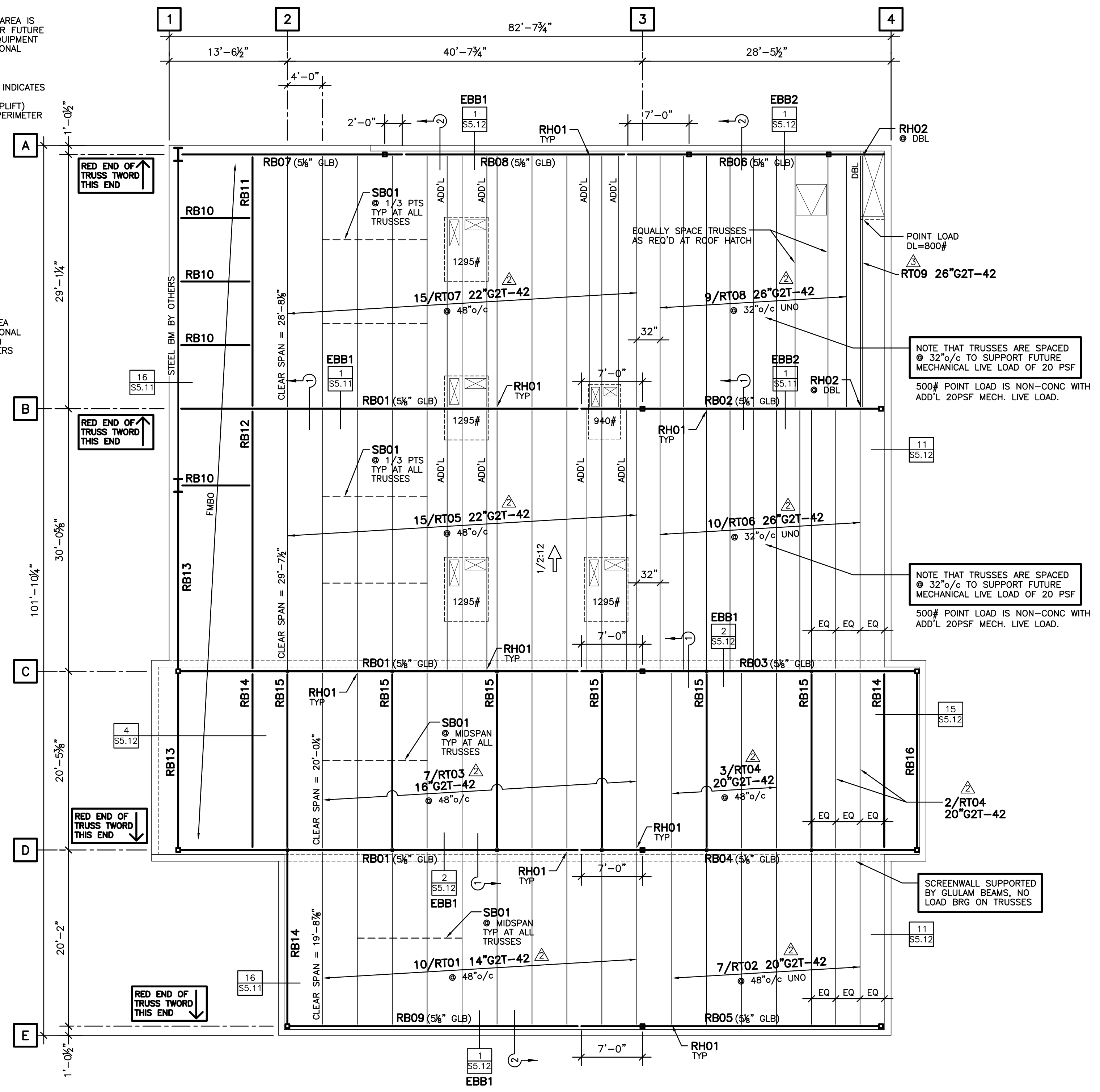
NOTE: ROTATE ROOF DRAINS AS REQ'D TO FIT BETWEEN TYP SPACED JOISTS

KC METALS CONNECTORS ESR-2929/2930

QTY	MARK	DESCRIPTION	NAILING		REMARKS
			HEADER	JOIST	
158	RH01	MTR414	6-16d	2-10d x 1 1/2	SINGLE
2	RH02	H414-2	24-16d	12-10d	DBL

PROJECT PLANS USED:

SHEETS	DATE
ARCHITECTURAL DRAWINGS A1.0 THRU A6.1	02/13/15
STRUCTURAL DRAWINGS S1.0 THRU S8.3	02/13/15
MECHANICAL DRAWINGS M2.2 AND M4.1	12/19/14



G2 STRUCTURAL G2T TRUSS

QTY	MARK	DESCRIPTION	CLEARSPAN
10	RT01	14" G2T 42	19'-8 7/8"
7	RT02	20" G2T 42	19'-8 7/8"
7	RT03	16" G2T 42	20'-0 1/4"
5	RT04	20" G2T 42	20'-0 1/4"
15	RT05	22" G2T 42	29'-7 1/2"
10	RT06	26" G2T 42	29'-7 1/2"
15	RT07	22" G2T 42	28'-8 1/8"
9	RT08	26" G2T 42	28'-8 1/8"
2	RT09	26" G2T 42	28'-8 1/8"

(1 ASSEM DBL)

TRUSS BLOCKING AND BRIDGING

QTY	MARK	DESCRIPTION	LENGTH
1	SB01	2x6 BRACING	500'-0"
91	EBB1	2x4 END BRG BLK	3'-8 3/8"
22	EBB2	2x4 END BRG BLK	2'-4 3/8"

(12'-0" MIN LENGTHS)

24F-V4 INDUSTRIAL APPEARANCE UNO 14% MOISTURE CONTENT

QTY	MARK	WIDTH	DEPTH	LENGTH	CAMBER	
3	RB01	5 1/8	36	46'-6"	2 1/4"	
24F-VB	1	RB02	5 1/8	36	35'-0"	STD
24F-VB	1	RB03	5 1/8	36	39'-0"	STD
24F-VB	1	RB04	5 1/8	33	39'-0"	STD
24F-VB	1	RB05	5 1/8	24	35'-0"	STD
24F-VB	1	RB06	5 1/8	21	30'-0"	STD
24F-VB	1	RB07	5 1/8	21	26'-0"	STD
1	RB08	5 1/8	21	26'-0"	STD	
1	RB09	5 1/8	21	34'-6"	1 1/4"	
4	RB10	5 1/8	18	9'-0"	STD	
1	RB11	5 1/8	18	29'-4"	3/4"	
1	RB12	5 1/8	18	30'-4"	3/4"	
2	RB13	5 1/8	16 1/2	21'-0"	STD	
3	RB14	5 1/8	15	20'-6"	STD	
6	RB15	5 1/8	15	20'-6"	1/2"	
1	RB16	5 1/8	15	20'-6"	3/4"	

LC=7'-0" 1/2"

LC=7'-0" 1/2"

LC=7'-0" 1/2"

LC=7'-0" 1/2"

LC=7'-0" 1/2"

RC=2'-0" 0"

PLYWOOD EDGE BLOCKS

QTY	MARK	DESCRIPTION	LENGTH
70	PEB1	3 X 4 NOM. W/ Z-CLIPS BOTH ENDS	3'-8 1/4"
20	PEB2	3 X 4 NOM. W/ Z-CLIP ONE END	3'-8 1/4"
109	PEB3	2 X 4 NOM. W/ Z-CLIPS BOTH ENDS	3'-8 1/4"
229	PEB4	2 X 4 NOM. W/ Z-CLIP ONE END	3'-8 1/4"
92	PEB5	2 X 4 NOM. W/ Z-CLIPS BOTH ENDS	2'-4 1/4"
35	PEB6	2 X 4 NOM. W/ Z-CLIP ONE END	2'-4 1/4"
284	ZC01	LOOSE Z-CLIPS	

(ZONE 2)

(ZONE 2)

(ZONE 1)

(ZONE 1)

(ZONE 1)

(ZONE 1)

ROOF FRAMING PLAN (REF: S2.2) SCALE: 1/8" = 1'-0"

**WARNING**  
 DRILLING, SAWING, SANDING OR MACHINING WOOD PRODUCTS GENERATES WOOD DUST AND OTHER SUBSTANCES KNOWN TO THE STATE OF CALIFORNIA TO CAUSE CANCER. AVOID INHALING DUST GENERATED FROM WOOD PRODUCTS OR USE A DUST MASK OR OTHER SAFEGUARDS TO AVOID INHALING DUST GENERATED FROM WOOD PRODUCTS. WOOD PRODUCTS EMIT CHEMICALS KNOWN TO THE STATE OF CALIFORNIA TO CAUSE BIRTH DEFECTS OR OTHER REPRODUCTIVE HARM. CALIFORNIA HEALTH AND SAFETY CODE SECTION 25249.6

**NOTE:**  
 REFERENCE MANUFACTURERS PRODUCT GUIDE FOR PRODUCT INSTALLATION AND ADDITIONAL INFORMATION.

REVISED FOR CONSTRUCTION



TMP TUSTIN LOT 3 BLDG (WOKCANO)  
 3015 EL CAMINO REAL  
 TUSTIN, CALIFORNIA 92782

ENGINEER  
 FICCADENTI WAGGONER AND CASTLE  
 949-474-0502

ARCHITECT  
 ROBINSON HILL ARCHITECTURE, INC.  
 714-465-9888

DATE: 03/02/15  
 REVISIONS  
 1 - 3/14/15 PER APPROVED SHOPS  
 2 - 03/25/15  
 3 - 04/01/15