

G2T OPEN WEB TRUSSES

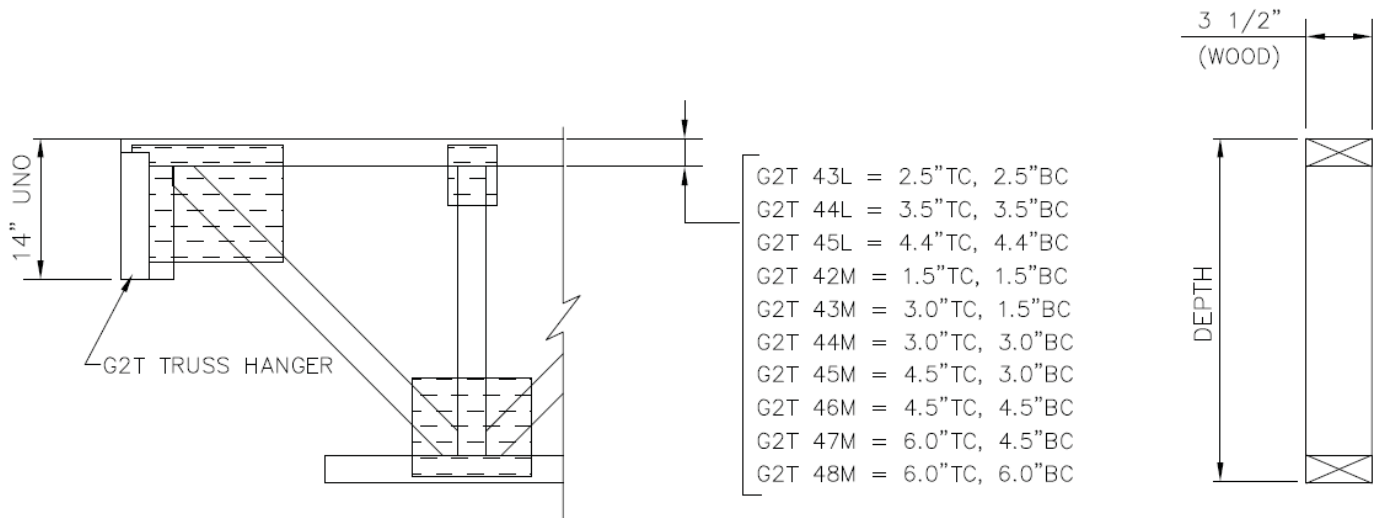


PRODUCT DESIGN AND USE GUIDE

G2T OPEN WEB TRUSS PRODUCT PROFILE

“L” DENOTES LAMINATED STRAND LUMBER (LSL) CHORDS.
ALL MEMBERS ARE CONTINUOUS AND MONOLITHIC (NO SPLICES)

“M” DENOTES MACHINE STRESS RATED (MSR)
LUMBER CHORDS STRUCTURALLY FINGER JOINTED
INTO A CONTINUOUS MEMBER. MULTIPLE PLYS ARE
FACE BONDED CREATING A CONTINUOUS AND MONOLITHIC MEMBER



SIDE VIEW

END VIEW

For more information contact G2 Structural LLC at 844-G2TSPEC (428-7732) or visit our website at:

www.g2-structural.net

USAGE AND GENERAL NOTES FOR G2T TRUSS LOAD TABLES

- Straight line interpolations may be made between depths and spans.
- TL values within this table are based upon a typical G2T TRUSS profile with parallel top and bottom chords. Values shown are maximum allowable load capacities of the trusses in pound per lineal foot (PLF) based on.
 - Simple span, uniformly loaded conditions, and assume roof applications have provisions for positive drainage (1/4" per foot minimum).
- These tables reflect G2T TRUSS utilizing the TCB11 bearing end configuration allowing for conventional flush framing design and installation techniques.
 - Other bearing conditions such as bottom chord, cantilever or top chord may be utilized. Actual load capacities could be less than those indicated within this table depending upon the bearing condition required. Consult the Technical Support Department at toll free 1-844-G2T-SPEC (428-7732) for further information.
 - Single or double tapered profiles are available. Actual load capacities may differ from those indicated within this table due to variety of resulting profiles. Consult the Technical Support Department at toll free 1-844-G2T-SPEC (428-7732) for further information.
- All TL values within this table that are shaded may be increased for repetitive member usage as follows: 7% for M series, 4% for L series.
- Self-weight of member is not included.

TO SIZE FLOOR TRUSSES:

Check both live load (100%) and total load (100%TL). When live load is not shown, total load will control. Total load values limit deflection to L/240. Live load values are based on a floor deflection limit of L/600 using solely the EI of the joist. For live load deflections of L/360, L/480 multiply 100% LL value by 1.33 or 1.25 respectively.

- Where both the 100% TL and the 100% LL values are not shown it is the position of G2 Structural LLC that dynamic characteristics of the floor will control the design. Based on more than a half century of providing engineered wood products we feel that specifying floor joist members with a depth to span ratio beyond those noted may result in a floor with an unacceptable feel. Call the Technical Support Department at toll free 1-844-G2T-SPEC (428-7732) for a subjective evaluation of floor dynamic characteristics prior to specifying floor joists beyond those depth to span ratios listed.

TO SIZE ROOF TRUSSES:

Check the appropriate snow load area (115%) or non-snow load area (125%) value to determine the maximum allowable total load. Total load (115% TL and 125% TL) values limit truss deflection to L/180.

Consult local codes to verify deflection limits required for specific applications.

For more information contact G2 Structural LLC at 844-G2TSPEC (428-7732) or visit our website at:

www.g2-structural.net

G2T 42M TRUSS

See usage and general notes for additional table information

DEPTH	14		16		18		20		22		24		26		28		30		32	
SPAN	100% TL	115% TL	100% TL	115% TL	100% TL	115% TL	100% TL	115% TL	100% TL	115% TL	100% TL	115% TL	100% TL	115% TL	100% TL	115% TL	100% TL	115% TL	100% TL	115% TL
(FT.)	100% LL	125% TL	100% LL	125% TL	100% LL	125% TL	100% LL	125% TL	100% LL	125% TL	100% LL	125% TL	100% LL	125% TL	100% LL	125% TL	100% LL	125% TL	100% LL	125% TL
14	419	482	458	527	462	531	469	539	450	518	427	491	439	505	443	509	446	513	449	516
	247	524	293	573	365	578	415	586	473	563	534	549	554	558	561					
16	334	384	378	435	402	462	405	466	403	463	407	468	359	413	363	417	365	420	369	424
	167	418	225	473	251	503	309	506	343	504	387	509	449	454	456					
18	254	292	288	331	332	382	359	413	352	405	332	382	334	384	338	389	343	394	345	397
	120	318	155	360	195	415	235	449	265	440	291	415	329	418	423	429	429	429	431	431
20	204	235	238	274	267	307	299	344	318	366	312	359	287	330	290	334	293	337	295	339
	87	255	111	298	140	334	167	374	195	398	232	390	253	359	282	363	366	366	369	369
22		192	194	223	222	255	249	286	268	308	282	324	284	327	288	331	252	290	259	298
		209	85	243	105	278	132	311	151	335	174	353	207	355	231	360	245	315	324	324
24		161		187	185	213	211	243	231	266	242	278	259	298	255	293	246	283	249	286
		175		204	82	231	101	264	122	289	138	303	164	324	190	319	205	308	219	311
26		137		159		181	179	206	196	225	212	244	221	254	238	274	217	250	223	256
		149		173		196	81	224	97	245	113	265	129	276	150	298	167	271	204	279
28		116		146		156		176	168	193	181	208	198	228	202	232	215	247	220	253
		126		159		170		191	81	210	92	226	108	248	134	253	136	269	160	275
30				118		135		155		170	157	181	174	200	173	199	183	210	198	228
				129		146		169		185	74	196	90	218	99	216	114	229	129	248
32				104		118		135		147		156		174		182		182		196
				113		129		146		160		170		189		198		198		213
34						104		120		131		141		151		159		169		169
						113		130		143		154		164		173		184		184
36						92		106		116		125		138		143		148		160
						100		115		126		136		150		155		161		174
38								95		105		112		121		127		135		146
								104		114		121		131		138		146		159
40								85		94		101		109		117		118		130
								93		103		110		119		128		129		141
DEPTH	14	16		18		20		22		24		26		28		30		32		

Repetitive increase of 7% allowed in shaded areas. The span table is based on a minimum end bearing of 3".
 Note: This plf table represents "joist only" EI. Increases in EI may miss represent actual in place product performance.

For more information contact G2 Structural LLC at 844-G2TSPEC (428-7732) or visit our website at:

www.g2-structural.net

G2T 43M TRUSS

See usage and general notes for additional table information

DEPTH	14		16		18		20		22		24		26		28		30		32		34		36		38		40	
	100% TL	115% TL	100% TL	115% TL	100% TL	115% TL	100% TL	115% TL	100% TL	115% TL	100% TL	115% TL	100% TL	115% TL	100% TL	115% TL	100% TL	115% TL	100% TL	115% TL	100% TL	115% TL	100% TL	115% TL	100% TL	115% TL	100% TL	115% TL
(FT.)	100% LL	125% TL	100% LL	125% TL	100% LL	125% TL	100% LL	125% TL	100% LL	125% TL	100% LL	125% TL	100% LL	125% TL	100% LL	125% TL	100% LL	125% TL	100% LL	125% TL	100% LL	125% TL	100% LL	125% TL	100% LL	125% TL	100% LL	125% TL
16	414	476	483	555	557	641	634	729	688	791	752	865	809	869	818	869	822	869	709	815	713	820	717	825	723	831	724	833
	252	518	285	604	359	636	447	793	481	860	503	869	562	869	604	869	640	869		869		869		869		869		869
18	329	378	388	446	442	508	499	574	548	630	607	698	639	735	653	751	572	658	584	672	593	682	601	691	604	695	604	695
	163	411	213	485	268	553	288	624	345	685	408	759	441	772	472	772		715	583	730		741		751		755		755
20	261	300	308	354	357	411	404	465	448	515	492	566	534	614	578	665	562	646	571	657	578	665	587	675	593	682	595	684
	108	326	142	385	180	446	223	505	264	560	300	615	340	668	375	695	403	695	440	695	472	695	501	695	527	695	552	695
22		238	253	291	292	336	334	384	373	429	412	474	444	511	478	550	482	554	499	574	508	584	512	589	519	597	522	600
		259	107	316	137	365	172	418	204	466	240	515	268	555	300	598	322	603	353	624	383	632	409	632	438	632	457	632
24		183		245	247	284	284	327	313	360	342	393	379	436	403	463	432	497	464	534	483	555	487	560	494	568	498	573
		199		266	106	309	136	355	161	391	190	428	221	474	251	504	266	540	295	579	318	579	341	579	364	579	383	579
26		146		190		238	239	275	267	307	292	336	319	367	343	394	364	415	389	447	413	475	437	503	444	511	448	515
		159		206		259	108	299	128	334	153	365	178	399	202	429	227	455	244	486	263	516	278	535	308	535	324	535
28		117		154		193		238	228	262	252	290	279	321	293	337	317	365	334	384	353	406	372	428	394	453	403	463
		128		168		210		259	104	285	124	315	145	349	166	366	186	396	202	418	220	441	239	465	259	493	277	496
30				125		166		204		228	221	254	244	281	260	299	272	313	292	336	305	351	322	370	339	390	355	408
				136		180		221		248	101	276	120	305	137	325	156	340	175	365	195	381	204	403	220	424	235	444
32				107		132		166		199		221	214	246	228	262	245	282	254	292	271	312	277	319	294	338	308	354
				116		144		180		216		240	100	268	115	285	129	306	147	318	164	339	181	346	193	368	202	385
34						109		137		170		196		214		233		250		269		285		301		320		337
						119		149		185		213		233		254		271		293		310		328		348		366
36						93		118		141		169		192		208		223		239		253		268		285		297
						101		129		154		184		209		226		243		260		275		291		310		323
38								102		121		154		171		190		198		215		228		240		255		268
								111		131		168		186		206		215		234		248		261		278		291
40								87		106		123		148		169		181		194		207		221		237		248
								95		115		134		161		184		196		211		225		240		258		270
42										91		110		128		148		163		174		184		194		207		217
										99		120		139		161		178		189		200		211		225		236
44										81		94		112		130		147		160		170		181		193		202
										88		103		121		141		160		174		185		196		210		220
46												82		98		113		129		146		155		164		175		184
												89		106		123		140		159		169		179		190		200
48												71		87		100		114		131		143		151		162		169
												78		95		109		124		143		155		164		176		184
50														77		89		107		123		130		138		148		155
														84		96		116		134		141		150		161		169
52																69		78		102		118		128		139		145
																75		85		96		111		129		139		158

Repetitive increase of 7% allowed in shaded areas. The span table is based on a minimum end bearing of 3".

Note: This plf table represents "joist only" EI. Increases in EI may miss represent actual in place product performance.

For more information contact G2 Structural LLC at 844-G2SPEC (428-7732) or visit our website at:

www.g2-structural.net

G2T 45M TRUSS

See usage and general notes for additional table information

DEPTH	24		28		32		36		40		44		48		52		56		60		64		68		72	
	100% TL	115% TL	100% TL	115% TL	100% TL	115% TL	100% TL	115% TL	100% TL	115% TL	100% TL	115% TL	100% TL	115% TL	100% TL	115% TL	100% TL	115% TL	100% TL	115% TL	100% TL	115% TL	100% TL	115% TL	100% TL	115% TL
SPAN (FT.)	100% LL	125% TL	100% LL	125% TL	100% LL	125% TL	100% LL	125% TL	100% LL	125% TL	100% LL	125% TL	100% LL	125% TL	100% LL	125% TL	100% LL	125% TL	100% LL	125% TL	100% LL	125% TL	100% LL	125% TL	100% LL	125% TL
28	366	421	436	501	513	590	593	636	636	636	636	636	636	636	636	636	636	636	636	636	636	636	636	636	636	636
	174	458	223	545	279	590	374	636	449	636	487	636	575	636		636		636		636		636		636		636
30		368	287	330	438	504	502	577	580	593	593	593	593	593	593	593	593	593	593	593	593	593	593	593	593	593
		400	189	359	242	504	304	593	368	593	426	593	466	593	545	593		593		593		593		593		593
32		322		332	394	453	444	511	519	556	556	556	556	556	556	556	556	556	556	556	556	556	556	556	556	556
		350		426	205	453	247	555	315	556	375	556	405	556	421	556	515	556		556		556		556		556
34		288		347		405	400	460	445	512	516	524	524	524	524	524	524	524	524	524	524	524	524	524	524	524
		313		378		405	216	500	261	524	324	524	355	524	394	524	403	524	492	524	492	524	519	524	524	524
36		259		312		361		414	399	459	442	494	494	494	494	494	494	494	494	494	494	494	494	494	494	494
		281		339		361		450	217	494	271	494	321	494	346	494	376	494	444	494	479	494		494		494
38		231		282		327		370		416		461		468		468		468		468		468		468		468
		251		306		327		403		453		468		468		468		468		468		468		468		468
40		209		250		292		340		373		414		445		445		445		445		445		445		445
		228		271		292		370		405		445		445		445		445		445		445		445		445
42		191		229		269		311		340		377		417		424		424		424		424		424		424
		208		249		269		338		370		410		424		424		424		424		424		424		424
44		173		208		243		283		312		350		386		405		405		405		405		405		405
		188		226		243		308		339		380		405		405		405		405		405		405		405
46		158		192		224		258		286		316		352		382		387		387		387		387		387
		171		209		224		280		311		344		383		387		387		387		387		387		387
48		145		177		204		237		266		292		323		351		371		371		371		371		371
		158		193		204		258		289		318		351		371		371		371		371		371		371
50				162		189		219		247		271		306		321		347		356		356		356		356
				176		189		238		269		295		333		349		356		356		356		356		356
52				151		174		204		228		253		282		296		320		338		342		342		342
				164		174		221		248		275		306		321		342		342		342		342		342
54				137		162		190		213		233		260		284		294		317		329		330		330
				149		162		206		231		254		283		309		320		330		330		330		330
56				128		150		174		197		217		243		266		275		297		299		318		318
				139		150		189		214		236		264		289		299		318		318		318		318
58						139		164		185		201		225		246		262		274		291		299		307
						139		179		201		219		245		268		285		298		307		307		307
60						131		154		171		190		214		229		245		254		270		274		289
						131		168		186		206		233		249		266		276		294		297		297
62						122		144		160		176		199		216		228		237		251		267		270
						122		156		174		191		216		235		248		258		273		287		287
64						115		133		152		166		184		201		213		232		236		247		251
						115		145		165		180		200		219		231		253		256		269		273
66								125		140		159		175		190		202		216		220		231		247
								136		153		173		190		206		220		235		239		251		269
68								118		135		150		163		178		190		204		215		216		231
								129		146		163		178		194		206		221		234		235		251
70										110		124		141		155		166		178		190		202		219
										120		135		154		169		180		194		206		220		238

Repetitive increase of 7% allowed in shaded areas. The span table is based on a minimum end bearing of 3".
 Note: This plf table represents "joist only" EI. Increases in EI may miss represent actual in place product performance.

For more information contact G2 Structural LLC at 844-G2SPEC (428-7732) or visit our website at:

www.g2-structural.net

G2T 46M TRUSS

See usage and general notes for additional table information

DEPTH	24		28		32		36		40		44		48		52		56		60		64		68		72					
	100% TL		115% TL		100% TL		115% TL		100% TL		115% TL		100% TL		115% TL		100% TL		115% TL		100% TL		115% TL		100% TL		115% TL			
	100% LL	125% TL	100% LL	125% TL	100% LL	125% TL	100% LL	125% TL	100% LL	125% TL	100% LL	125% TL	100% LL	125% TL	100% LL	125% TL	100% LL	125% TL	100% LL	125% TL	100% LL	125% TL	100% LL	125% TL	100% LL	125% TL	100% LL	125% TL		
28	417	480	503	578	579	636	633	636	634	636	635	636	636	636	636	636	636	636	636	636	636	636	636	636	636	636	636	636		
30	362	416	438	504	514	591	577	593	591	593	592	593	593	593	593	593	593	593	593	593	593	593	593	593	593	593	593	593		
32	168	453	238	548	310	591	381	593	429	593	465	593	489	593	531	593	556	556	556	556	556	556	556	556	556	556	556	556		
34	366	398	385	443	440	506	488	556	531	556	555	556	556	556	556	556	556	556	556	556	556	556	556	556	556	556	556	556		
36	361	393	397	409	470	470	462	524	511	524	523	524	524	524	524	524	524	524	524	524	524	524	524	524	524	524	524	524		
38	292	318	360	421	421	421	408	469	461	494	493	494	494	494	494	494	494	494	494	494	494	494	494	494	494	494	494	494		
40	239	260	319	377	377	377	430	419	468	462	468	468	468	468	468	468	468	468	468	468	468	468	468	468	468	468	468	468	468	
42	237	258	291	343	343	343	388	434	445	445	445	445	445	445	445	445	445	445	445	445	445	445	445	445	445	445	445	445		
44	215	234	267	313	313	313	353	398	424	424	424	424	424	424	424	424	424	424	424	424	424	424	424	424	424	424	424	424	424	
46	194	211	240	288	288	288	325	367	405	405	405	405	405	405	405	405	405	405	405	405	405	405	405	405	405	405	405	405	405	
48	178	194	201	260	260	260	301	338	374	374	374	374	374	374	374	374	374	374	374	374	374	374	374	374	374	374	374	374	374	
50	163	178	202	242	242	242	275	312	346	346	346	346	346	346	346	346	346	346	346	346	346	346	346	346	346	346	346	346	346	
52	186	203	222	253	253	253	284	320	356	356	356	356	356	356	356	356	356	356	356	356	356	356	356	356	356	356	356	356	356	
54	173	188	205	235	235	235	266	297	334	334	334	334	334	334	334	334	334	334	334	334	334	334	334	334	334	334	334	334	334	
56	162	176	190	217	217	217	248	274	302	302	302	302	302	302	302	302	302	302	302	302	302	302	302	302	302	302	302	302	302	
58	148	161	177	205	205	205	231	258	283	283	283	283	283	283	283	283	283	283	283	283	283	283	283	283	283	283	283	283	283	
60	168	186	205	235	235	235	266	297	334	334	334	334	334	334	334	334	334	334	334	334	334	334	334	334	334	334	334	334	334	
62	154	177	201	225	225	225	255	289	323	323	323	323	323	323	323	323	323	323	323	323	323	323	323	323	323	323	323	323	323	323
64	146	166	190	214	214	214	244	274	302	302	302	302	302	302	302	302	302	302	302	302	302	302	302	302	302	302	302	302	302	
66	138	155	177	201	201	201	231	258	283	283	283	283	283	283	283	283	283	283	283	283	283	283	283	283	283	283	283	283	283	
68	146	169	189	219	219	219	249	279	309	309	309	309	309	309	309	309	309	309	309	309	309	309	309	309	309	309	309	309	309	
70	137	159	184	205	205	205	235	265	295	295	295	295	295	295	295	295	295	295	295	295	295	295	295	295	295	295	295	295	295	
DEPTH	24	28	32	36	40	44	48	52	56	60	64	68	72																	

Repetitive increase of 7% allowed in shaded areas. The span table is based on a minimum end bearing of 3".
 Note: This pfl table represents "joist only" EI. Increases in EI may miss represent actual in place product performance.

For more information contact G2 Structural LLC at 844-G2TSPEC (428-7732) or visit our website at:

www.g2-structural.net

G2T 43L TRUSS

See usage and general notes for additional table information

DEPTH	14		16		18		20		22		24		26		28		30		32		34		36		38		40	
	100% TL	115% TL	100% TL	115% TL	100% TL	115% TL	100% TL	115% TL	100% TL	115% TL	100% TL	115% TL	100% TL	115% TL	100% TL	115% TL	100% TL	115% TL	100% TL	115% TL	100% TL	115% TL	100% TL	115% TL	100% TL	115% TL	100% TL	115% TL
16	398	458	464	534	535	615	609	700	661	760	723	831	777	869	786	869	790	869	681	783	685	788	689	792	695	799	696	800
18	242	498	274	580	345	669	429	761	462	826	483	869	540	869	580	869	615	869	561	645	570	656	577	664	580	667	580	667
20	156	395	204	466	257	531	276	539	331	658	392	729	424	768	453	772	550	633	561	645	560	701	555	638	564	649	570	656
22	103	313	136	370	173	429	214	485	253	538	288	591	326	641	360	694	387	675	423	686	453	694	481	695	506	695	530	695
24		229	243	279	280	322	321	369	358	412	396	455	426	490	459	528	463	532	479	551	488	561	492	566	499	574	501	576
26		249	102	304	131	350	165	401	196	448	290	495	257	533	288	574	309	579	339	599	368	610	393	615	421	624	439	626
28		175		235	237	273	273	314	300	345	328	377	364	419	387	445	415	477	446	513	464	534	468	538	475	546	478	550
30		190		255	101	296	130	341	154	375	182	410	212	455	241	484	255	519	283	558	305	579	327	579	350	579	368	579
32		140		182		229	229	263	256	294	280	322	306	352	329	378	350	403	374	430	397	457	420	483	427	491	430	495
34		153		198		249	103	286	123	320	147	350	171	383	194	411	218	438	234	468	252	496	267	525	296	534	311	535
36		113		147		185		229	219	252	242	278	268	308	281	323	304	350	321	369	339	390	357	411	378	435	387	445
38		123		160		201		249	100	274	119	303	139	335	159	351	178	380	194	401	211	424	229	446	249	473	266	484
40				120		159		196		219	212	244	234	269	250	288	261	300	280	322	293	337	309	355	325	374	341	392
42				130		173		213		238	97	265	115	293	131	313	150	326	168	350	188	366	196	386	211	406	225	426
44				102		127		159		191		212	205	236	219	252	235	270	244	281	260	299	266	306	282	324	296	340
46				111		138		173		208		230	96	256	110	274	124	294	141	305	157	325	174	333	185	353	194	370
48						105		131		163		187		205		224		239		259		274		289		307		323
50						114		143		178		204		223		244		260		281		298		314		334		351
52						89		114		136		162		184		200		214		230		243		258		274		285
54						96		124		148		176		200		218		233		250		264		280		298		310
56								98		115		147		164		182		190		206		215		230		245		258
58								106		125		160		179		198		206		224		238		250		266		280
60								84		101		117		143		162		173		186		199		212		228		238
62								91		110		128		155		176		188		203		216		230		248		259
64										86		106		122		143		156		167		176		186		199		208
66										94		115		133		155		170		181		191		203		216		226
68										77		90		107		124		141		153		163		173		185		194
70										84		98		116		135		154		166		178		188		201		211
72												78		93		108		123		140		148		158		168		176
74												85		101		118		134		153		161		171		183		191
76												68		84		95		109		125		137		144		155		162
78												74		91		104		119		136		149		156		169		176
80														74		85		102		117		124		132		143		148
82														80		93		111		128		135		144		155		161
84														66		75		85		98		114		122		133		139
86														71		81		93		106		124		133		145		151

Repetitive increase of 4% allowed in shaded areas. The span table is based on a minimum end bearing of 3".
 Note: This plf table represents "joist only" EI. Increases in EI may miss represent actual in place product performance.

For more information contact G2 Structural LLC at 844-G2SPEC (428-7732) or visit our website at:

www.g2-structural.net

G2T 44L TRUSS

See usage and general notes for additional table information

DEPTH	18		20		24		26		30		34		36		40		42		46		48		50		54		56	
	100%:TL	115%:TL	100%:TL	115%:TL	100%:TL	115%:TL	100%:TL	115%:TL	100%:TL	115%:TL	100%:TL	115%:TL	100%:TL	115%:TL	100%:TL	115%:TL	100%:TL	115%:TL	100%:TL	115%:TL	100%:TL	115%:TL	100%:TL	115%:TL	100%:TL	115%:TL	100%:TL	115%:TL
22	392	451	445	512	541	622	534	683	684	787	799	809	809	809	809	809	809	809	809	809	809	809	809	809	809	809	809	809
24	167	490	215	556	292	622	336	743	415	809	486	809	542	809	682	809	744	809	707	809	783	809	809	809	809	809	809	809
26	346	137	400	184	453	228	540	287	628	313	685	359	685	395	685	431	685	525	685	563	685	591	685	637	685	665	685	685
28	263	315	344	336	378	435	458	527	525	604	539	620	582	636	601	636	630	636	636	636	636	636	636	636	636	636	636	636
30	216	269	347	333	383	385	443	444	511	471	542	514	591	533	593	561	593	579	593	593	593	593	593	593	593	593	593	593
32	177	231	305	332	339	390	396	455	418	481	475	546	501	556	525	556	556	556	556	556	556	556	556	556	556	556	556	556
34	147	185	269	298	346	350	403	371	427	420	483	442	508	477	524	495	524	524	524	524	524	524	524	524	524	524	524	524
36	113	153	225	261	309	353	378	428	450	489	494	494	494	494	494	494	494	494	494	494	494	494	494	494	494	494	494	494
38	129	198	233	279	323	343	383	401	430	454	468	468	468	468	468	468	468	468	468	468	468	468	468	468	468	468	468	468
40	113	175	215	250	293	319	347	359	389	408	436	445	445	445	445	445	445	445	445	445	445	445	445	445	445	445	445	445
42	99	145	177	229	268	284	314	325	350	367	393	424	424	424	424	424	424	424	424	424	424	424	424	424	424	424	424	424
44	108	145	193	249	291	309	341	354	380	399	424	424	424	424	424	424	424	424	424	424	424	424	424	424	424	424	424	424
46	127	154	202	245	258	266	280	311	325	348	365	386	405	405	405	405	405	405	405	405	405	405	405	405	405	405	405	405
48	110	137	185	227	233	262	275	290	307	328	341	361	371	371	371	371	371	371	371	371	371	371	371	371	371	371	371	371
50	106	139	183	199	216	244	254	275	293	315	335	355	377	377	377	377	377	377	377	377	377	377	377	377	377	377	377	377
52	91	123	166	179	206	217	235	246	268	291	308	325	325	325	325	325	325	325	325	325	325	325	325	325	325	325	325	325
54	83	112	148	163	191	202	219	230	247	262	277	293	301	301	301	301	301	301	301	301	301	301	301	301	301	301	301	301
56	99	130	148	177	187	202	213	230	245	256	279	293	301	301	301	301	301	301	301	301	301	301	301	301	301	301	301	301
58	87	118	135	163	175	187	197	214	227	238	253	266	279	288	298	308	318	328	338	348	358	368	378	388	398	408	418	428
60	79	108	129	146	178	190	204	214	233	246	259	273	287	297	307	317	327	337	347	357	367	377	387	397	407	417	427	437
62	86	118	140	164	179	194	205	223	236	249	262	275	288	299	311	323	335	347	359	371	383	395	407	419	431	443	455	467
64	87	93	108	125	136	156	163	178	194	205	223	236	249	262	275	288	299	311	323	335	347	359	371	383	395	407	419	431

Repetitive increase of 4% allowed in shaded areas. The span table is based on a minimum end bearing of 3".
 Note: This plf table represents "joist only" EI. Increases in EI may miss represent actual in place product performance.

For more information contact G2 Structural LLC at 844-G2SPEC (428-7732) or visit our website at:

www.g2-structural.net

G2T 45L TRUSS

See usage and general notes for additional table information

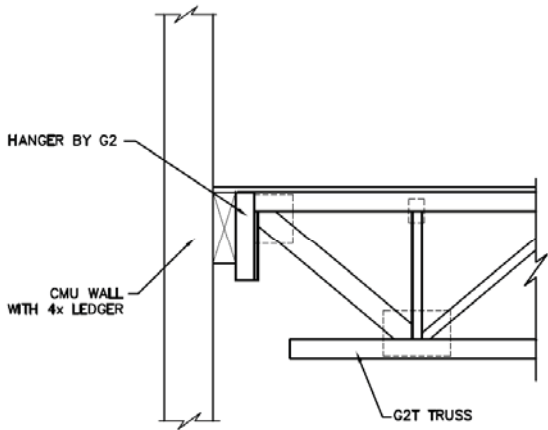
DEPTH	24		28		32		36		40		44		48		52		56		60		64		68	
	100% TL	115% TL	100% TL	115% TL	100% TL	115% TL	100% TL	115% TL	100% TL	115% TL	100% TL	115% TL	100% TL	115% TL	100% TL	115% TL	100% TL	115% TL	100% TL	115% TL	100% TL	115% TL	100% TL	115% TL
(FT.)	100% LL	125% TL	100% LL	125% TL	100% LL	125% TL	100% LL	125% TL	100% LL	125% TL	100% LL	125% TL	100% LL	125% TL	100% LL	125% TL	100% LL	125% TL	100% LL	125% TL	100% LL	125% TL	100% LL	125% TL
28	384	442	457	526	538	619	622	636	636	636	636	636	636	636	636	636	636	636	636	636	636	636	636	636
	179	480	233	571	296	619	403	636	484	636	525	636	620	636	636	636	636	636	636	636	636	636	636	636
30	386	301	346	459	528	527	593	593	593	593	593	593	593	593	593	593	593	593	593	593	593	593	593	593
	420	198	376	257	528	328	593	397	593	459	593	502	593	588	593	593	593	593	593	593	593	593	593	593
32	338		412	413	475	466	536	544	556	556	556	556	556	556	556	556	556	556	556	556	556	556	556	556
	368		448	217	475	266	556	339	556	404	556	437	556	454	556	556	556	556	556	556	556	556	556	556
34	301		365		424	420	483	467	524	524	524	524	524	524	524	524	524	524	524	524	524	524	524	524
	328		396		424	233	524	281	524	349	524	383	524	425	524	524	524	524	524	524	524	524	524	524
36	271		327		378		435	418	481	464	494	494	494	494	494	494	494	494	494	494	494	494	494	494
	295		355		378		473	234	494	292	494	346	494	373	494	405	494	479	494	494	494	494	494	494
38	243		296		343		389		437		468		468		468		468		468		468		468	
	264		321		343		423		468		468		468		468		468		468		468		468	
40	220		261		306		357		391		435		445		445		445		445		445		445	
	239		284		306		388		425		445		445		445		445		445		445		445	
42	200		239		282		325		357		396		424		424		424		424		424		424	
	218		260		282		354		388		424		424		424		424		424		424		424	
44	181		219		254		297		327		367		405		405		405		405		405		405	
	196		238		254		323		355		399		405		405		405		405		405		405	
46	164		201		235		270		300		331		369		387		387		387		387		387	
	179		219		235		294		326		360		387		387		387		387		387		387	
48	145		185		213		248		278		306		339		368		371		371		371		371	
	158		201		213		270		303		333		369		371		371		371		371		371	
50			170		198		229		253		284		321		336		356		356		356		356	
			185		198		249		281		309		349		356		356		356		356		356	
52			158		182		213		238		266		296		309		335		342		342		342	
			171		182		231		259		289		321		336		342		342		342		342	
54			143		170		199		223		245		273		298		308		330		330		330	
			155		170		216		243		266		296		324		330		330		330		330	
56			133		156		182		206		228		254		278		288		311		314		318	
			145		156		198		224		248		276		303		313		318		318		318	
58					146		173		194		210		236		258		275		286		305		307	
					146		188		211		229		256		280		299		307		307		307	
60					137		161		179		199		224		239		256		267		283		286	
					137		175		195		216		244		260		279		290		297		297	
62					128		151		167		184		208		227		238		248		262		279	
					128		164		181		200		226		246		259		270		285		287	
64					121		139		159		174		193		210		223		244		247		259	
					121		151		173		189		210		229		243		265		269		278	

Repetitive increase of 4% allowed in shaded areas. The span table is based on a minimum end bearing of 3".
 Note: This plf table represents "joist only" EI. Increases in EI may miss represent actual in place product performance.

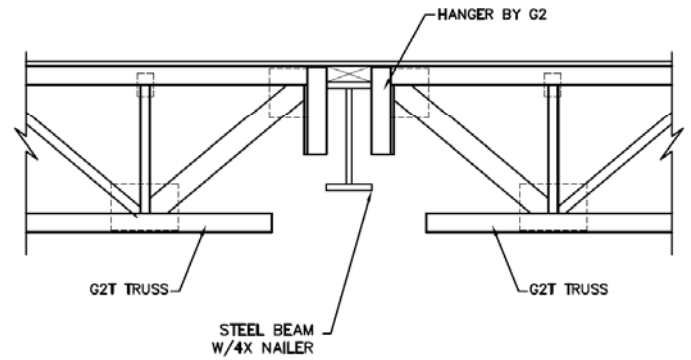
For more information contact G2 Structural LLC at 844-G2TSPEC (428-7732) or visit our website at:

www.g2-structural.net

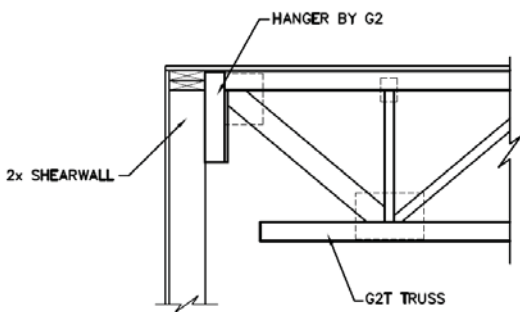
G2T TRUSS BEARING DETAILS (JOISTED APPLICATIONS)



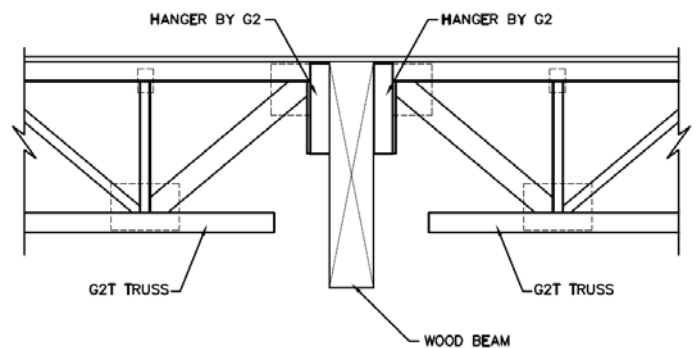
AT WOOD LEDGER



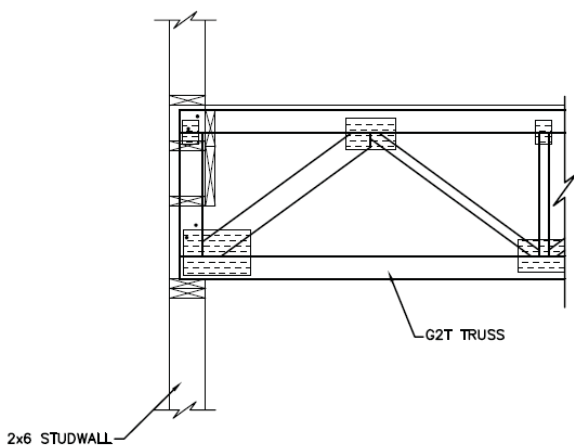
AT STEEL BEAM WITH NAILER



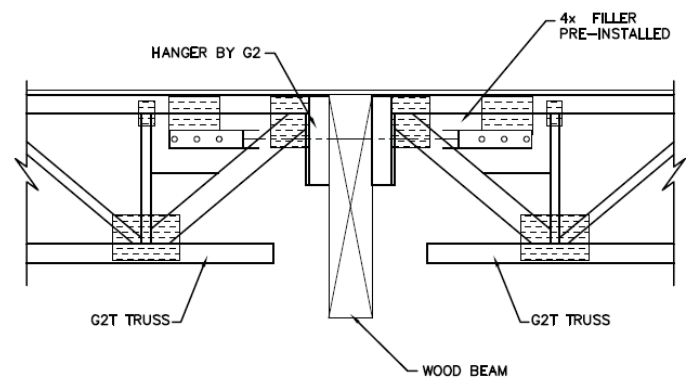
AT STUDWALL



AT WOOD BEAM



AT STUD WALL (BOTTOM CHORD BEARING)

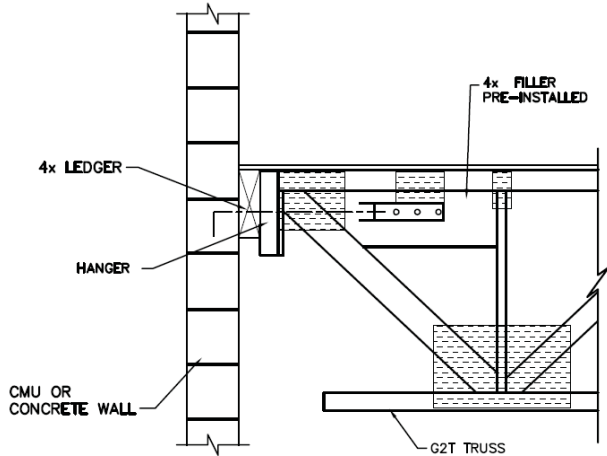


AT WOOD BEAM WITH TENSION TIE

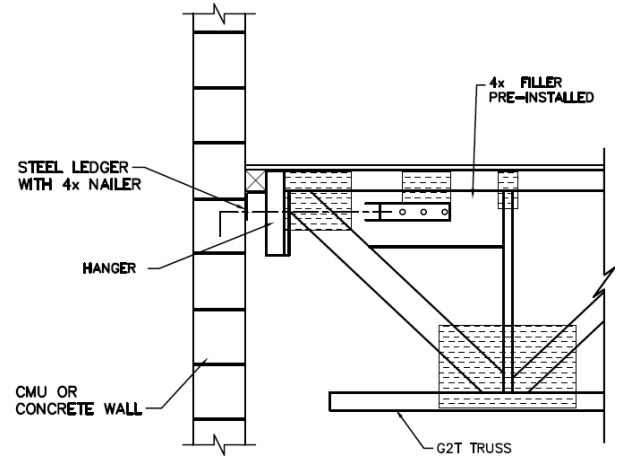
For more information contact G2 Structural LLC at 844-G2SPEC (428-7732) or visit our website at:

www.g2-structural.net

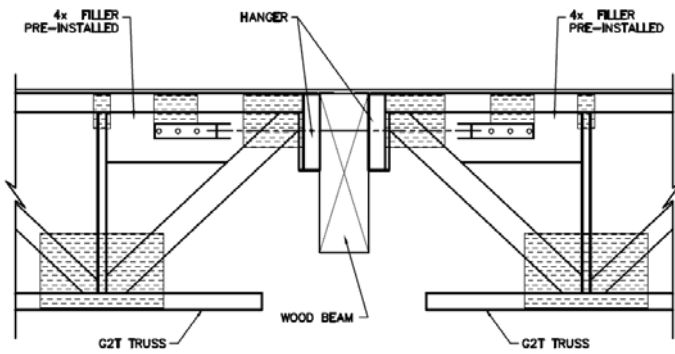
G2T-P PURLIN BEARING DETAILS (CONVENTIONAL PANELIZED APPLICATIONS)



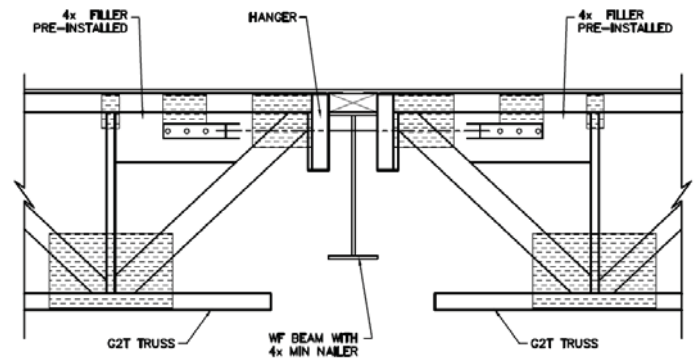
AT WOOD LEDGER



AT STEEL LEDGER WITH WOOD NAILER



AT WOOD GIRDER

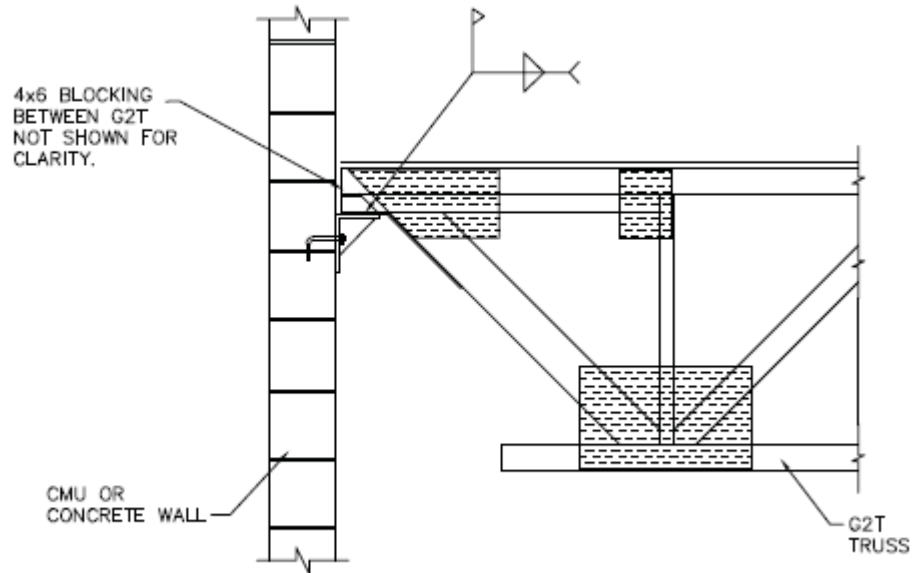


AT STEEL BEAM WOOD WITH NAILER

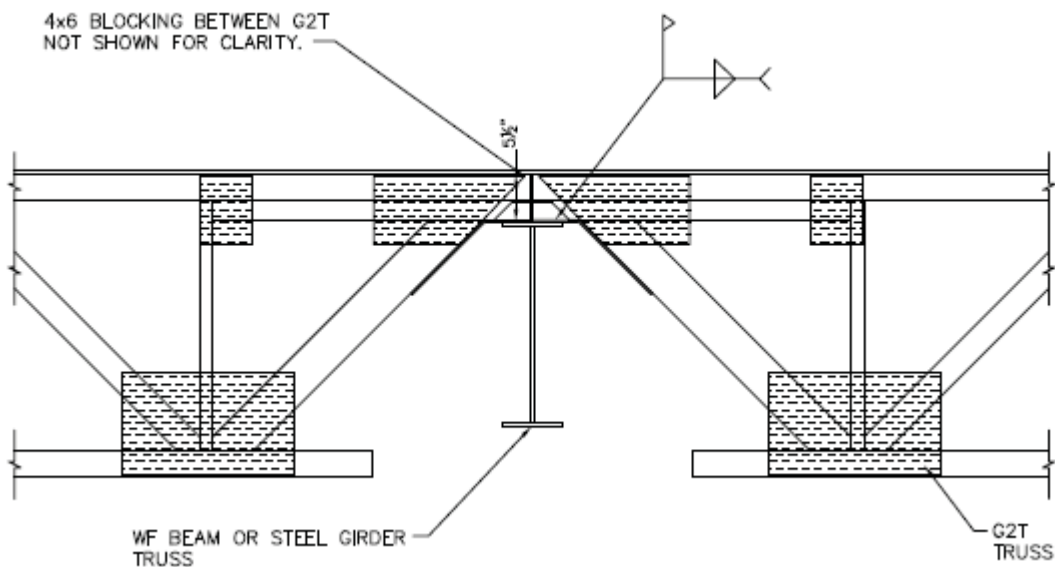
For more information contact G2 Structural LLC at 844-G2TSPEC (428-7732) or visit our website at:

www.g2-structural.net

G2T-PW PURLIN WELD-DOWN BEARING DETAILS (HYBRID PANELIZED APPLICATIONS)



G2T WELD-DOWN SERIES AT STEEL LEDGER

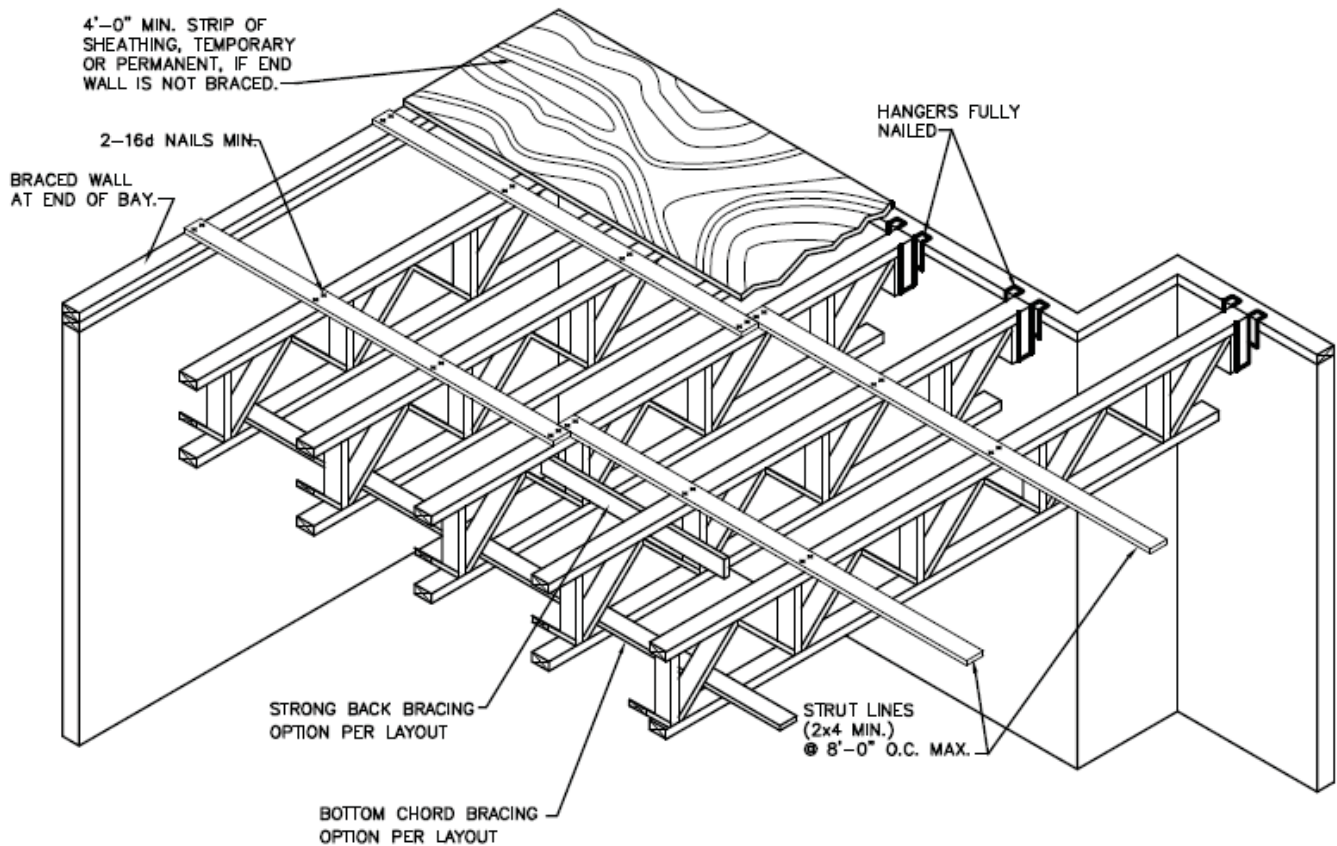


G2T WELD-DOWN SERIES AT STEEL GIRDER

For more information contact G2 Structural LLC at 844-G2TSPEC (428-7732) or visit our website at:

www.g2-structural.net

ERECTION BRACING



Erection bracing for G2 Structural LLC G2T Open Web Truss is required to prevent lateral buckling of the chord members until adequate stability is achieved. It is the responsibility of the installer (builder, building contractor, licensed contractor, erector or erection contractor) to properly install and brace the G2T Open Web Trusses. The installer must exercise the same high degree of safety awareness as with any other structural material. G2 Structural LCC does not intend that the recommendations made herein be interpreted as superior to the Erection Engineer's design specifications for handling, installing and bracing wood trusses for a particular roof or floor.

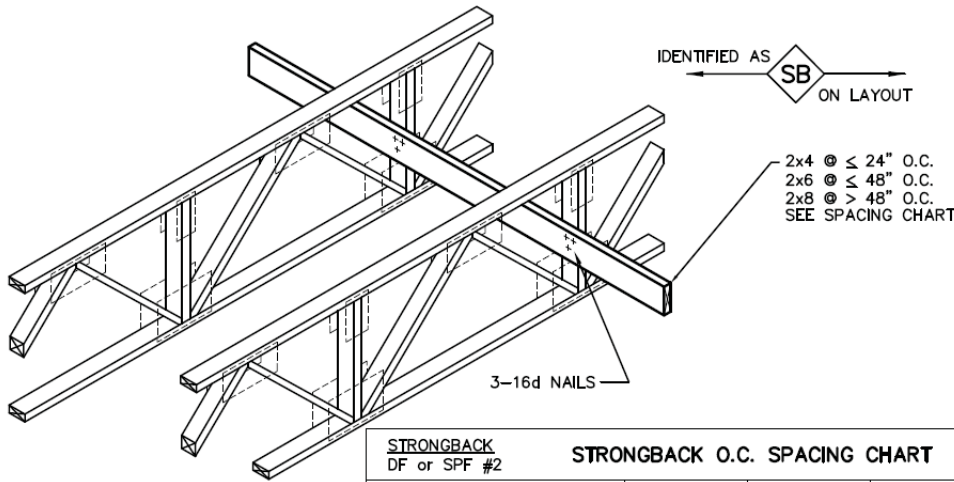
The suggested erection bracing is based on the recommendations of the Truss Plate Institute (TPI) as summarized in the publication that accompanies all deliveries to the jobsite. This erection bracing assumes the trusses are 24" oc or less, including the use of A) 2x4 minimum strut bracing at 8'-0 on center maximum, B) bottom chord restraints as indicated on the truss calculations or truss placement plan, C) braced end wall or diaphragm restraint adequate to support the 2x4 strut bracing rows and D) All hangers to be fully nailed. Struts to be attached with 2-16d minimum.

All trusses are unstable laterally until properly braced. The longer the span the more care that is required. Adequate restraint is necessary at all stages of construction. Complete stability is not achieved until the bracing and sheathing is completely installed and properly fastened. Erection bracing and procedures, as well as the safety of the workers are the responsibility of the installer.

For more information contact G2 Structural LLC at 844-G2TSPEC (428-7732) or visit our website at:

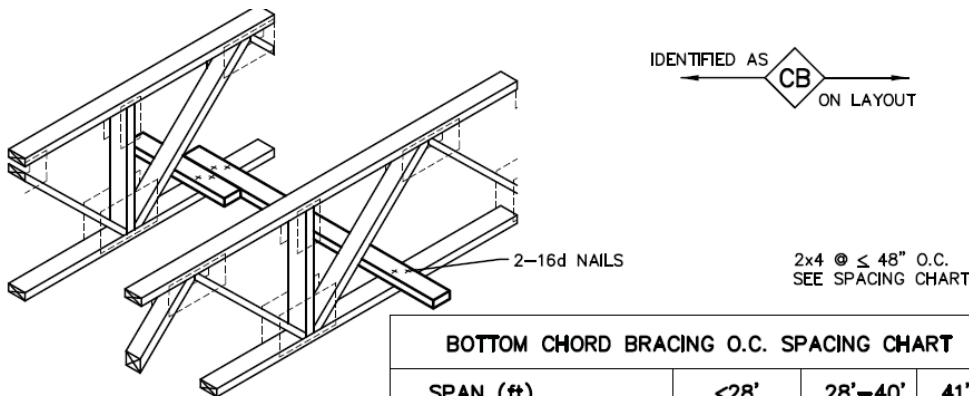
www.g2-structural.net

BOTTOM CHORD BRACING **AT ALL G2T OPEN WEB TRUSS SERIES**



STRONGBACK DF or SPF #2	STRONGBACK O.C. SPACING CHART		
SPAN (ft)	<28'	28'-40'	41'-56'
# OF ROWS ROOF	1	2	3
# OF ROWS FLOOR	1	2	N/A

MAXIMUM ON CENTER SPACING OF BRIDGING IS 14'-0"
THIS BRACING MATERIAL IS INTREGAL TO THE PERFORMANCE OF THE TRUSS AND IS TO BE CONSIDERED PERMANENT.



BOTTOM CHORD BRACING O.C. SPACING CHART			
SPAN (ft)	<28'	28'-40'	41'-56'
# OF ROWS ROOF	1	2	3

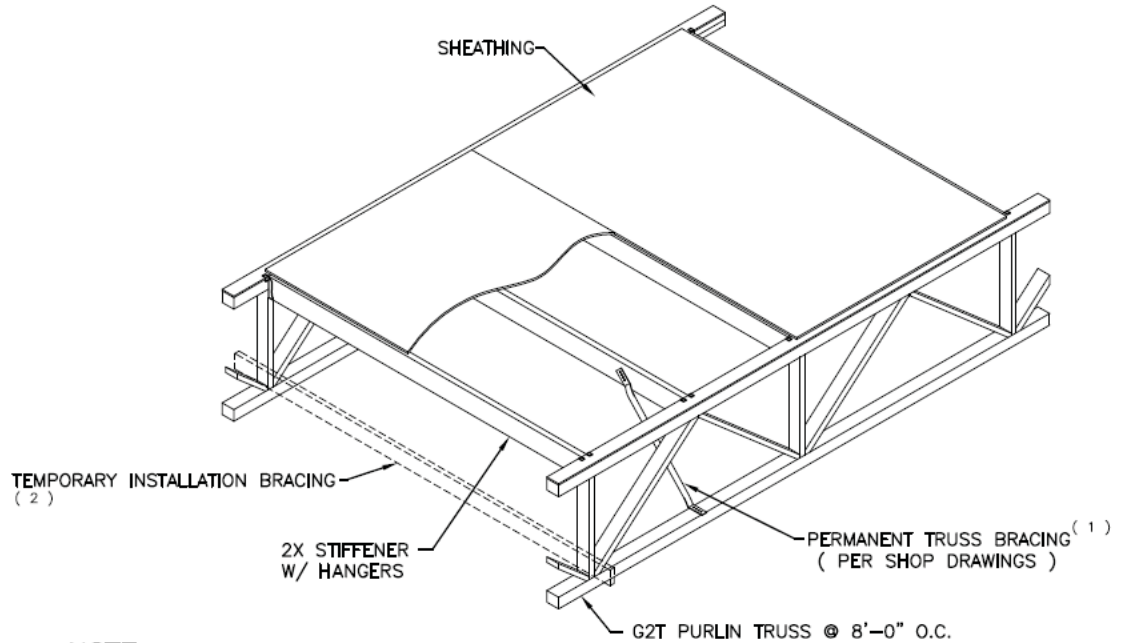
MAXIMUM ON CENTER SPACING OF BRIDGING IS 14'-0"
THIS BRACING MATERIAL IS INTREGAL TO THE PERFORMANCE OF THE TRUSS AND IS TO BE CONSIDERED PERMANENT.

- Additional bridging may be required when trusses are to be installed out of plumb greater than 1/4" in 12"
- Bridging required in cantilevers when the length of the cantilever exceeds 3 times the truss depth
- Additional bridging may be required due to wind or seismic considerations.
- Floor spans exceeding 38'-0 are not recommended by G2 Structural LLC due to our belief that the dynamic characteristics of the floor will control the design at those spans.

For more information contact G2 Structural LLC at 844-G2SPEC (428-7732) or visit our website at:

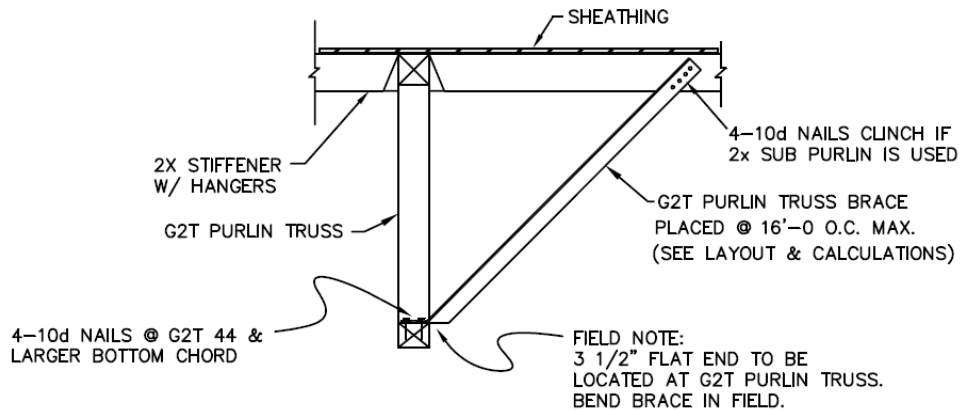
www.g2-structural.net

G2T TRUSS PANELIZED ROOF APPLICATION ERECTION BRACING



NOTE:

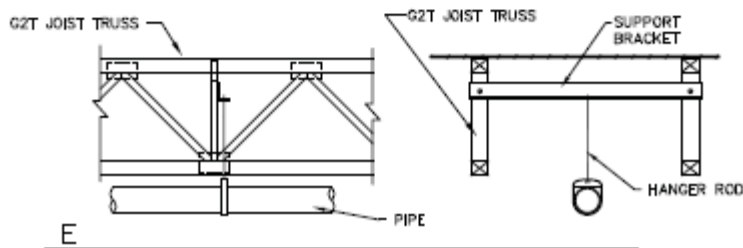
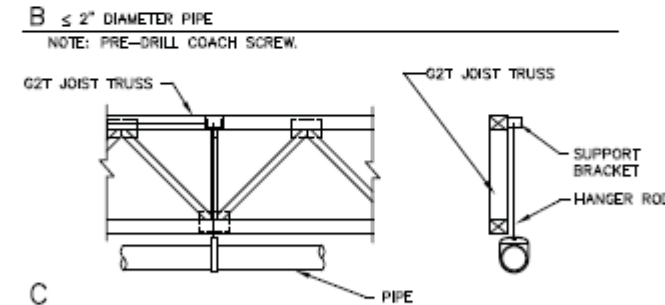
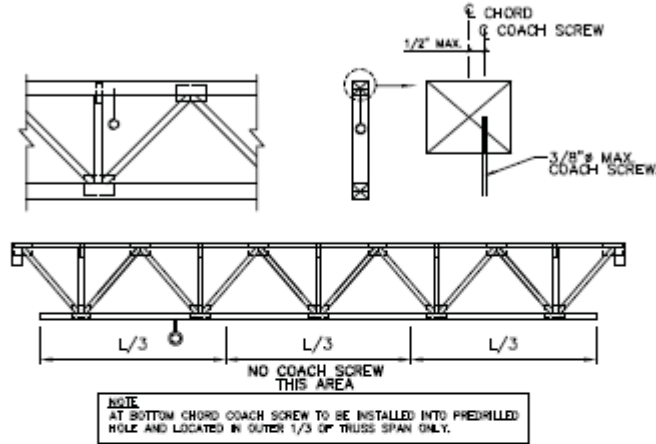
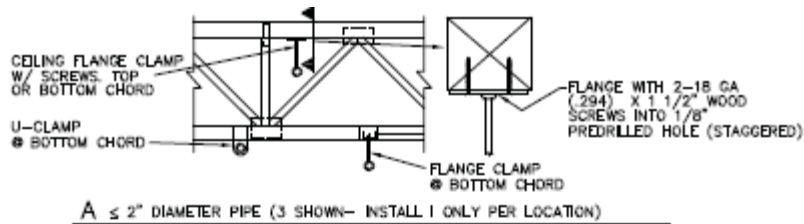
- (1) PERMANENT BRACING SHALL BE PER FABRICATOR'S RECOMMENDATIONS. IF PERMANENT BRACING IS USED AS THE INSTALLATION BRACING, IT MUST BE INSTALLED AS EACH TRUSS IS PLACED. A MINIMUM OF TWO (2) INSTALLATION BRACES ARE REQUIRED AT ALL SPANS GREATER THAN 32'-0".
- (2) INSTALLATION BRACING IN ADDITION TO OR IN LEIU OF PERMANENT TRUSS BRACING TO BE DESIGNED AND INSTALLED BY THE INSTALLATION CONTRACTOR.



For more information contact G2 Structural LLC at 844-G2SPEC (428-7732) or visit our website at:

www.g2-structural.net

FIRE SPRINKLER SYSTEM



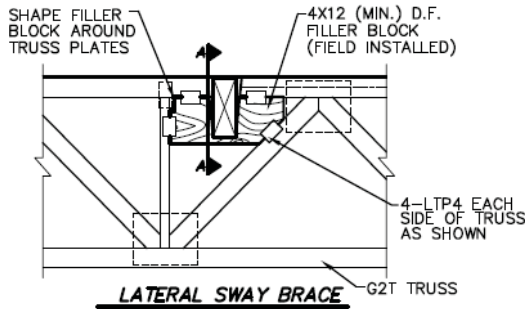
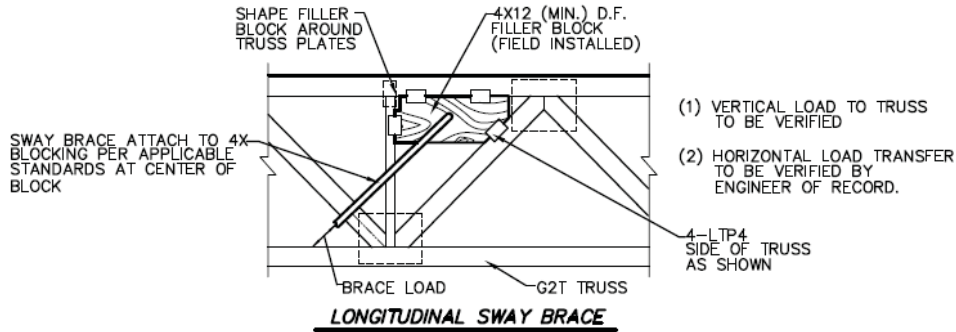
NOTES:

- Wood screws with a maximum diameter of 1/8" may be used anywhere on the top chord of the G2T Truss with a pre-drilled pilot hole unless noted otherwise.
- Do not drill holes, drive heavy screws, or use lag bolts in the bottom chord of the G2T Truss, except as noted.
- Coordinate attachment of sprinkler pipe greater than 3" diameter with the G2T truss layout and calculations. It is assumed that the Engineer or Record has allowed for lines 3" diameter and less in the design deal load.
- All sprinkler and sprinkler attachments including wood supports are to furnished and installed by others.

For more information contact G2 Structural LLC at 844-G2SPEC (428-7732) or visit our website at:

www.g2-structural.net

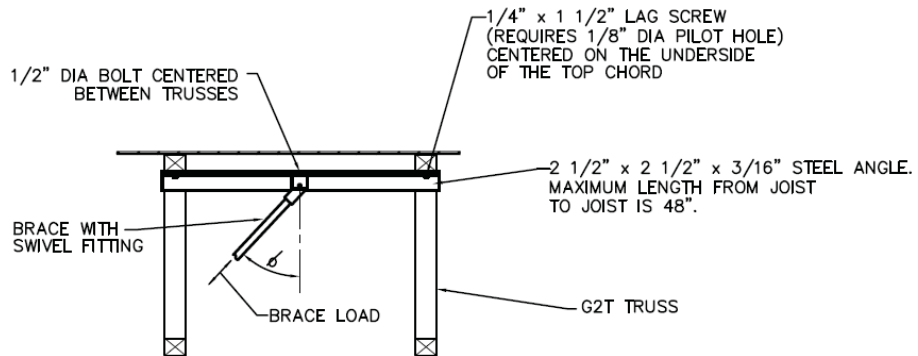
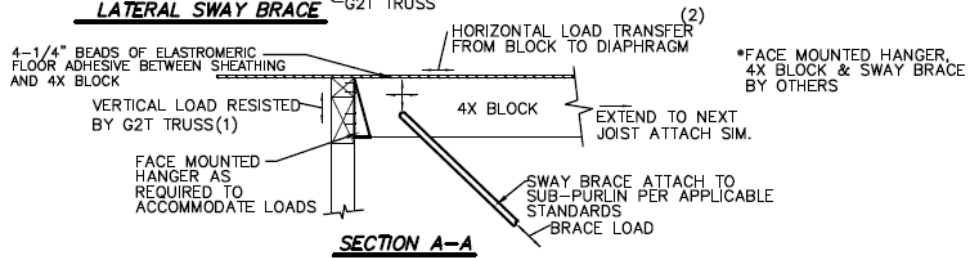
FIRE SPRINKLER SYSTEM continued



ALLOWABLE HORIZONTAL SEISMIC FORCE (LBS.)		
ANGLE TO VERTICAL (θ)		
30°	60°	90°
800	1400	1400

THE LOADS ARE BASED ON THE CONTROLLING CONNECTION TO THE TRUSS.

THE FORCES INCLUDE A 1.33 AND 1.60 DURATION OF LOAD ADJUSTMENT.



ALLOWABLE HORIZONTAL SEISMIC FORCE (LBS.)		
ANGLE TO VERTICAL (θ)		
30°	60°	90°
190	240	240

THE LOADS ARE BASED ON THE CONTROLLING CONNECTION TO THE TRUSS.

THE FORCES INCLUDE A 1.33 AND 1.60 DURATION OF LOAD ADJUSTMENT.

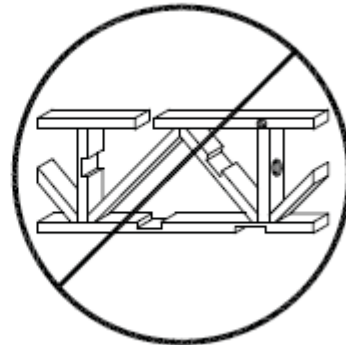
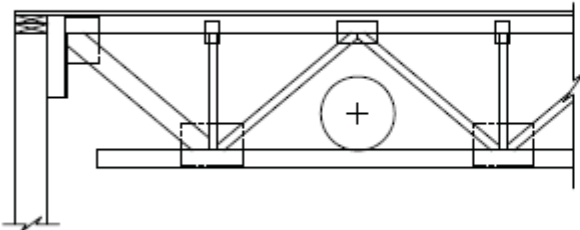
For more information contact **G2 Structural LLC** at **844-G2SPEC (428-7732)** or visit our website at:

www.g2-structural.net

TRUSS WEIGHTS

G2T TRUSS WEIGHT PER LINEAL FOOT (APPROXIMATE)					
	G2T 42M	G2T 43M G2T 43L	G2T 44M G2T 44L	G2T 45M G2T 45L	G2T 46M
Overall Depth (inches)	PLF	PLF	PLF	PLF	PLF
14	5.8	–	–	–	–
16	5.8	6.4	–	–	–
18	5.9	6.7	7.5	–	–
20	6.0	6.8	7.8	–	–
22	6.1	6.8	8.0	–	–
24–30	6.1	6.9	8.6	9.2	10.6
31–40	6.3	7.4	9.7	10.3	12.1
41–50	–	–	10.7	11.5	13.4
51–57	–	–	11.4	21.1	13.8
58–72	–	–	–	12.7	13.9

ALLOWABLE DUCT SIZES



■ DO NOT CUT, DRILL
OR NOTCH CHORDS
AND WEB MEMBERS

ALLOWABLE DUCT SIZES IN G2T TRUSS					
Overall Depth (inches)	G2T 42M	G2T 43M G2T 43L	G2T 44M G2T 44L	G2T 45M G2T 45L	G2T 46M
14	7	5	–	–	–
16	8	6	–	–	–
18	9	7	6	–	–
20	10	8	7	–	–
22	8	7	6	6	5
24	9	8	7	7	6
26	10	9	8	8	7
28	11	10	9	9	8
30	12	11	10	10	9

ALLOWABLE DUCT SIZES IN G2T TRUSS					
Overall Depth (inches)	G2T 42M	G2T 43M G2T 43L	G2T 44M G2T 44L	G2T 45M G2T 45L	G2T 46M
32	13	12	11	11	10
34	–	13	12	11	11
36	–	14	13	12	12
38	–	15	14	13	13
40	–	16	15	14	14
42	–	18	17	15	15
44	–	–	18	17	17
46	–	–	19	18	18
48	–	–	20	19	19

Based on round duct without insulation
Thicker webs may require smaller duct than indicated
For square ducting, multiple the round size by 0.75

For more information contact G2 Structural LLC at 844-G2SPEC (428-7732) or visit our website at:

www.g2-structural.net

JOBSITE STORAGE

STORAGE

- While being stored at the jobsite protect (cover) products from exposure to sun and water.
- Use stickers adequate to keep products above ground, out of mud and water. Place stickers approximately 10 feet on center maximum with 2 feet minimum beyond bundle.
- Bundles are to be stored on level ground.
- Handle G2T Truss in an upright position. Never handle the G2T in a flat orientation.
- Twisting of trusses, or loads applied to the web members when horizontal will damage the G2T Truss.
- Do not install damaged G2T Trusses.
- Do not open bundles until time of installation. Use care when handling bundles and individual G2T Trusses to prevent injury to handlers or damage by forklift or cranes.
- Stacking bundles is permitted if an adequate number of stickers is provided to prevent damage and normal safety precautions are followed.
- All glue used in G2T Truss is waterproof; however, long exposure to water and sun will cause some deterioration and checking of wood.
- Do not use G2T Truss as ramps or planks.

HANDLING

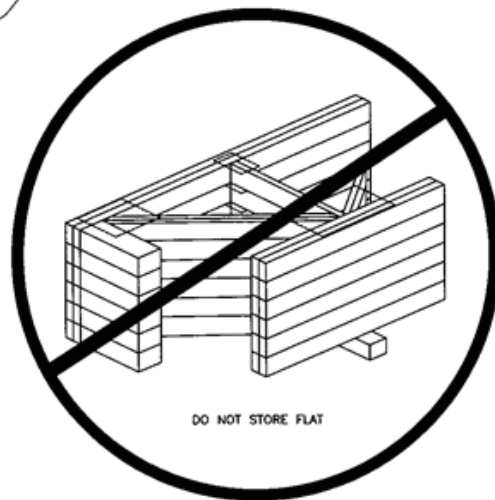
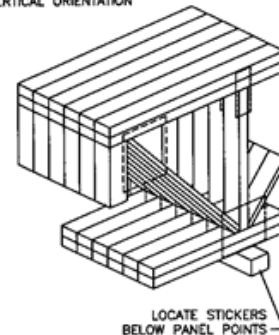
It is the responsibility of the customer to unload the G2T Truss from the truck and for all handling thereafter, the G2T Truss warranty only applies so long as the product is not damaged or altered in any way at the jobsite, and is installed in a workman like manner in accordance to G2 installation guide lines. G2T Trusses will be delivered to the jobsite in a bundle banded together for handling ease. To avoid damage, they should be kept in these bundles until they are ready to be installed in the structure.



DO NOT allow workers to walk on trusses or joists until adequately braced



STORE JOIST IN A VERTICAL ORIENTATION



DO NOT STORE FLAT

For more information contact G2 Structural LLC at 844-G2TSPEC (428-7732) or visit our website at:

www.g2-structural.net